

DINGLI

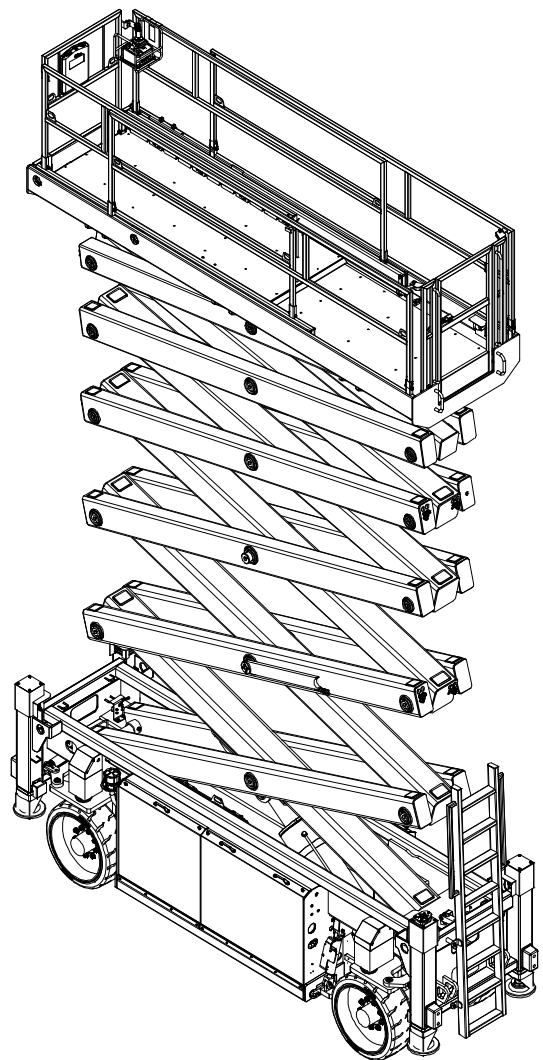
Exceed · New Height

Parts Manual

JCPT1912DC

JCPT2212DC

From SN
JPD191202210288-
JPD2212023B0295-



Part Number: SM012020113

Version Number: Rev1.1

August 2023 Printing

DINGLI

Foreword

We are very appreciated for your interesting with Dingli machine and choosing it for your application. Our priority above all is you can use the machine safely for your application and you can benefit from the Dingli machine mostly. For these reason we hope you can:

1. Comply with employer, job site and local governmental rules.
2. Safeguard your commitment to quality by always using genuine Dingli spare parts. Remember, Dingli cannot accept responsibility for the failure of a separator equipped with non-original spare parts. We guarantee the quality and reliability of our products.
3. All sketch maps of parts shown in this manual are for reference only, it is the practical that counts. This manual includes all the latest information up to the date when it was printed. All responsibilities for the revision and explanation of the manual rest with the Dingli. We also preserve the right to edit the technology characteristic and content of the manual.
4. Anyone who read the manual or used the machine, is encouraged to notify Dingli Machinery Co, Ltd of any errors or send in suggestions for improvement. All communications will be carefully considered for future printings of this and other manuals, certainly if you have any question about the machine, please contact with our team by dialing technical support phone, sending email, or any methods you want, etc. Our contact information as bellow:

If you are in China Mainland, Please contact with:

Zhejiang Dingli Machinery Co.,Ltd. Domestic Office:

Phone: +86 572 8681766
Fax: +86 572 8681700
Email: sales@cndingli.com

If you are out of the China Mainland, Please contact with:

Zhejiang Dingli Machinery Co.,Ltd. International Office:

Phone: +86 572 8681688
Fax: +86 572 8681690
Email: export@cndingli.com

Table of Contents

Section 1 Chassis

101.1	Steer Linkage and Wheels Installation	2
102.1	Steer Linkage and Wheels Assembly.....	4
103.1	Pothole Protection Assembly.....	7
104.1	Right Tray Door Installation	9
105.1	Right Tray Assembly.....	11
106.1	Beacon Assembly.....	14
107.1	Power Connector Assembly	15
108.1	Ground Control Box Assembly	16
109.1	Left Tray Door and Hydraulic Tank Installation.....	19
110.1	Hydraulic Tank Assembly.....	21
111.1	Left Tray Assembly.....	24
112.1	Function Manifold Assembly.....	27
113.1	Manual Pump Assembly	28
114.1	Pump Motor Assembly.....	29
115.1	Outriggers Assembly.....	31
116.1	Ladder and Chassis Accessory Installation.....	34
117.1	Outrigger Plate (Option).....	37

Section 2 Scissor

201.1	Scissor Arms Installation (JCPT2212DC)	39
201.2	Scissor Arms Installation (JCPT1912DC)	41
202.1	Scissor Arm pin joint A	43
203.1	Scissor Arm pin joint B	44
204.1	Scissor Arm pin joint C	46
205.1	Scissor Arm pin joint D	47
206.1	Scissor Arm pin joint E	48
207.1	Scissor Arm pin joint F	49
208.1	Scissor Arm pin joint G	50
209.1	Scissor Arm pin joint H	51
210.1	Lift cylinder and Scissor Accessory Installation (JCPT2212DC).....	52
210.2	Lift cylinder and Scissor Accessory Installation (JCPT1912DC).....	54
211.1	Rotary Sensor Assembly	56

Section 3 Platform

301.1	Main Platform Assembly.....	59
-------	-----------------------------	----

302.1	Platform Extension Assembly.....	62
303.1	Platform Control Box Assembly.....	65
304.1	Protective Device Assembly (Option).....	66
Section 4 Hydraulic System		
401.1	Lift Cylinder Assembly.....	69
402.1	Left Outrigger Cylinder Assembly.....	71
403.1	Right Outrigger Cylinder Assembly.....	73
404.1	Left Pothole Protection Cylinder Assembly.....	75
405.1	Right Pothole Protection Cylinder Assembly.....	76
406.1	Function Manifold.....	77
406.2	Function Manifold.....	79
406.3	Function Manifold.....	81
407.1	Hydraulic Hoses and Fittings.....	83
Section 5 Electrical System		
501.1	Electrical Harness.....	87
502.1	Power to Platform.....	90
Section 6 Decal		
601.1	Decals with Words.....	93
602.1	Decals with Symbols.....	98
Section 7 Automatic Lubrication Systems		
701.1	Automatic Lubrication Systems - Chassis Components.....	104
702.1	Automatic Lubrication Systems - Scissor Components (JCPT2212DC).....	106
703.1	Automatic Lubrication Systems - Scissor Components (JCPT1912DC).....	110
704.1	Automatic Lubrication Systems - Hoses and Fittings (JCPT2212DC).....	114
705.1	Automatic Lubrication Systems - Hoses and Fittings (JCPT1912DC).....	118
706.1	Automatic Lubrication Systems - Scissor Arms Installation (JCPT2212DC)..	122
707.1	Automatic Lubrication Systems - Scissor Arms Installation (JCPT1912DC)..	124
708.1	Automatic Lubrication Systems - Scissor Arm pin joint A.....	126
709.1	Automatic Lubrication Systems - Scissor Arm pin joint B.....	127
710.1	Automatic Lubrication Systems - Scissor Arm pin joint C.....	129
711.1	Automatic Lubrication Systems - Scissor Arm pin joint D.....	130
712.1	Automatic Lubrication Systems - Scissor Arm pin joint E.....	131
713.1	Automatic Lubrication Systems - Scissor Arm pin joint F.....	132
714.1	Automatic Lubrication Systems - Scissor Arm pin joint G.....	133
715.1	Automatic Lubrication Systems - Scissor Arm pin joint H.....	134
716.1	Automatic Lubrication Systems - Lift cylinder and Scissor Accessory	

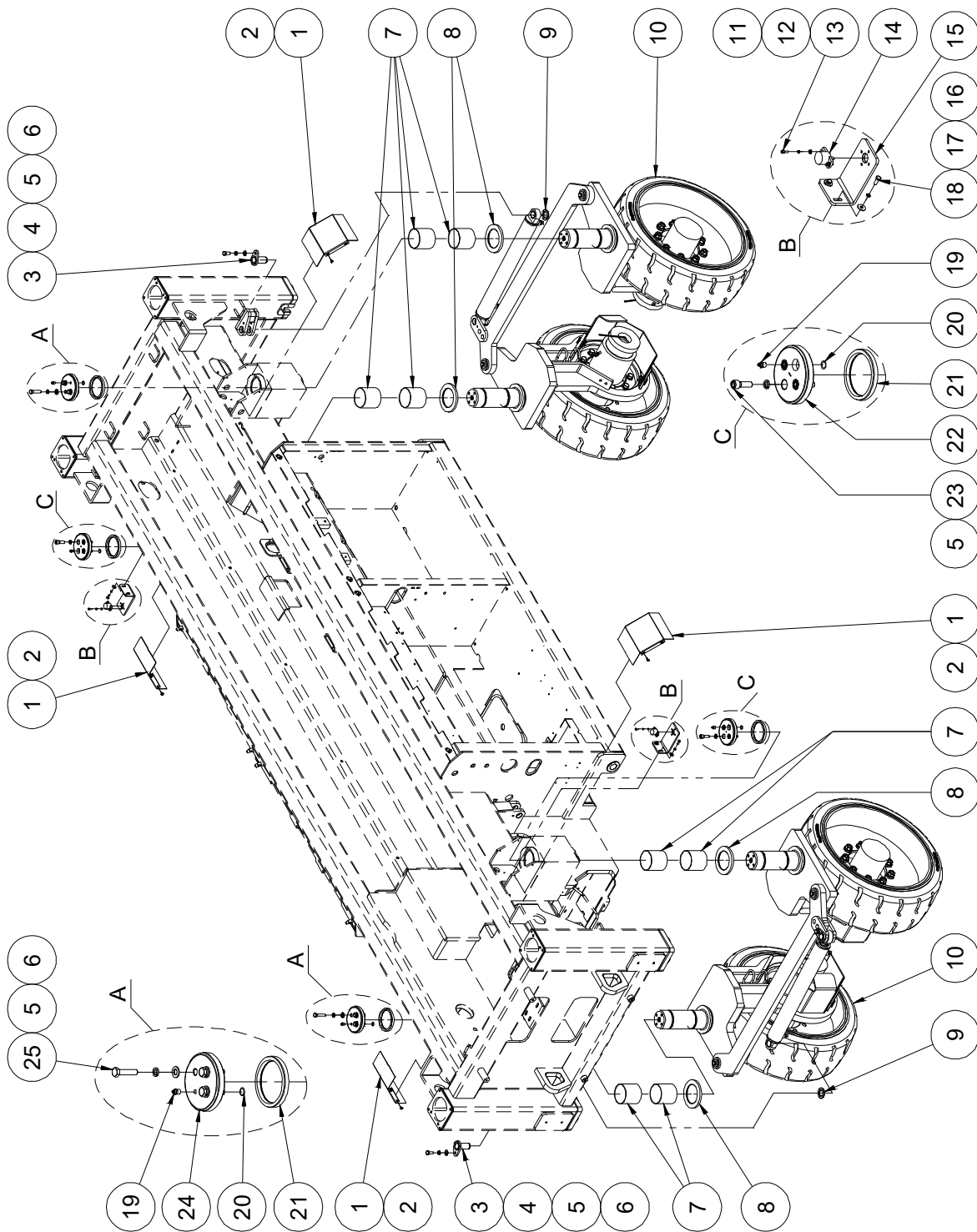
Installation (JCPT2212DC).....135

717.1 Automatic Lubrication Systems - Lift cylinder and Scissor Accessory

Installation (JCPT1912DC).....137

Section 1 Chassis

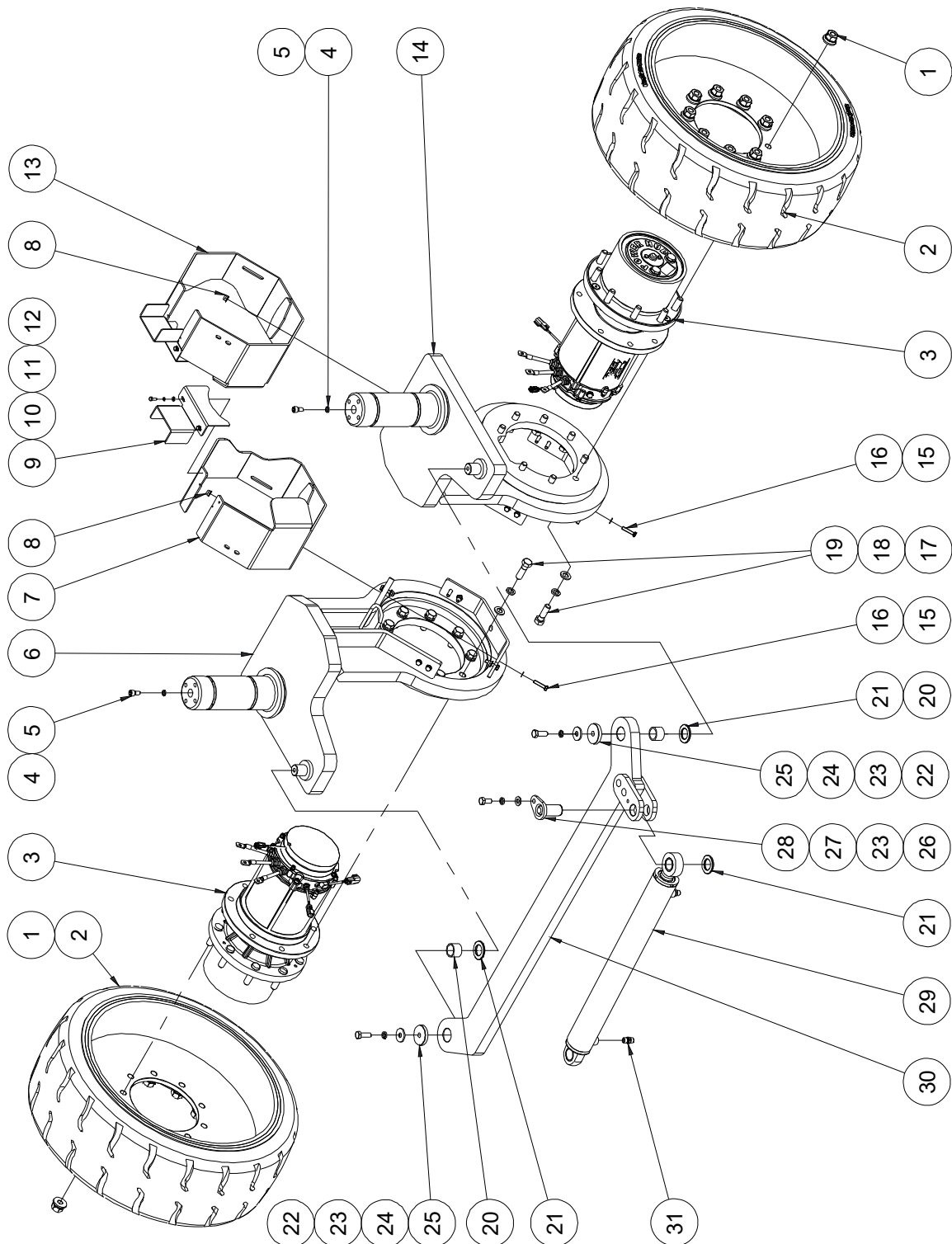
101.1 Steer Linkage and Wheels Installation



101.1 Steer Linkage and Wheels Installation

Item	Part No.	Description	Qty.
1	10011205	Cover	4
2	00001011	Screw GB/T 973 M5×12	16
3	10014417	Pin	2
4	00000816	Bolt GB/T 5783 M12×25	2
5	00000814	Washer GB/T 97.1 12	8
6	00000815	Washer GB/T 93 12	8
7	00006140	8812-909590A Bearing	8
8	10011190	Washer	4
9	10014421	Washer	2
10		Steer linkage and wheels assembly (refer to 102.1)	2
11	00000778	Washer GB/T 97.1 4	4
12	00000779	Washer GB/T 93 4	4
13	00001054	Screw GB/T 70.1 M4×12	4
14	00000644	Rotary sensor	2
15	10011204	Sensor bracket	2
16	00002583	Washer GB/T 96.1 6	4
17	00000621	Washer GB/T 93 6	4
18	00000818	Bolt GB/T 5783 M6×16	4
19	00004483	Grease nipple GB/T 1152 M10×1	4
20	00006127	O-ring GB/T 3452.1-14×1.8	4
21	00006126	Seal GB/T 13871.1 FB 90 110 12 III	4
22	10013705	Cover	2
23	00006425	Screw GB/T 70.1 M12×35	6
24	10011202	Cover	2
25	00001856	Bolt GB/T 5783 M12×50	6

102.1 Steer Linkage and Wheels Assembly



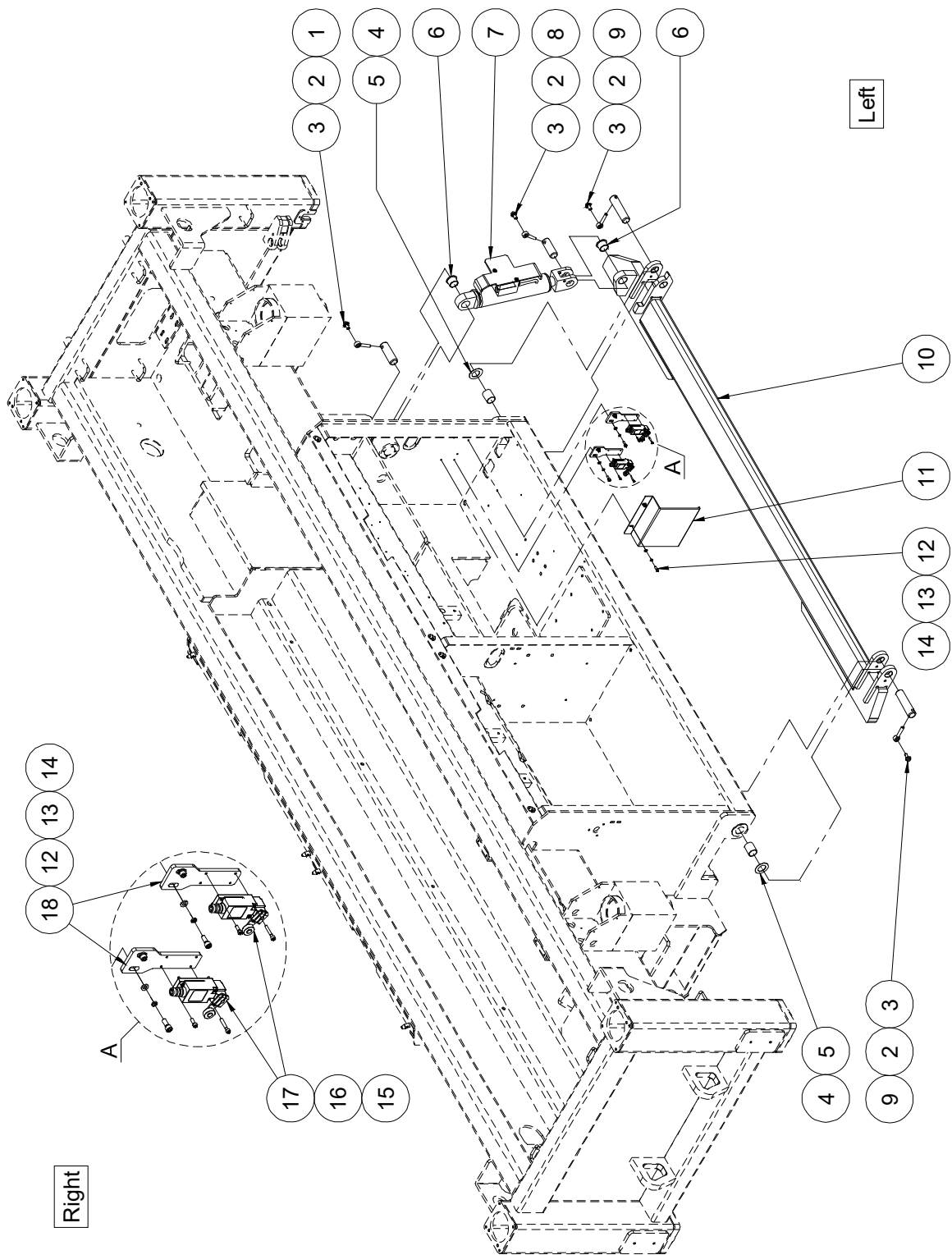
102.1 Steer Linkage and Wheels Assembly

Item	Part No.	Description	Qty.
1	00002274	5/8-18UNF Nut	18
2	10011165	Wheel	2
3	10011237	Drive motor assembly	2
--	00006312	Reducer	1
--	10011238	Motor	1
--	00006313	Brake	1
4	0000679	Washer GB/T 93 10	2
5	00002249	Screw GB/T 70.1 M10×20	2
6	10014413	Steer yoke weldment	1
7	10023582	Motor cover 1	1
8	00002575	Nut GB/T 6183.1 M8	16
9	10023585	Cover	2
10	0000818	Bolt GB/T 5783 M6×16	4
11	0000621	Washer GB/T 93 6	4
12	0000620	Washer GB/T 97.1 6	4
13	10023587	Motor cover 2	1
14	10014411	Steer yoke weldment	1
15	0000608	Washer GB/T 97.1 8	16
16	00002488	Bolt GB/T 5783 M8×35	16
17	0000997	Washer GB/T 97.1 16	16
18	00001035	Washer GB/T 93 16	16
19	00003699	5/8-11×2" Bolt ANSI B18.2.1	16
20	00003614	8813-303625 Bearing	2
21	10014421	Washer	3
22	00002046	Bolt GB/T 5783 M12×35	2
23	0000815	Washer GB/T 93 12	3
24	00002601	Washer GB/T 96.1 12	2
25	10014422	Washer	2
26	0000816	Bolt GB/T 5783 M12×25	1

102.1 Steer Linkage and Wheels Assembly

Item	Part No.	Description	Qty.
27	00000814	Washer GB/T 97.1 12	1
28	10014417	Pin	1
29	10013414	Steer cylinder assembly (without seal kit)	1
--	00006620	Seal kit	1
30	10014047	Tie rod weldment	1
31	00001282	Straight fitting	2

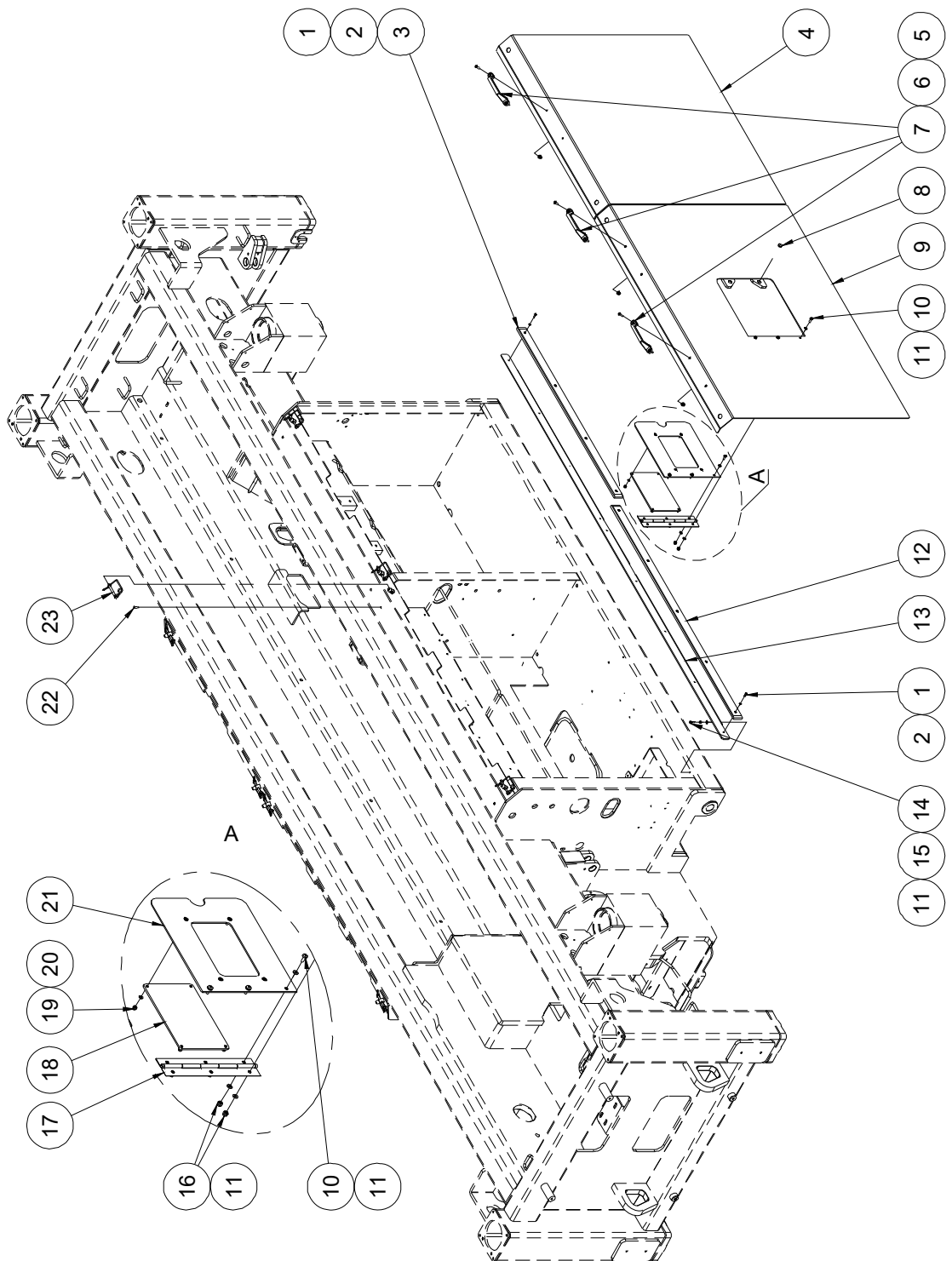
103.1 Pothole Protection Assembly



103.1 Pothole Protection Assembly

Item	Part No.	Description	Qty.
1	00006184	895-30080 Pin	2
2	00000219	8902-10060 Pin	8
3	00002873	Bolt QC/T 340 M10×20	8
4	00006175	8812-303440 Bearing	4
5	00004610	8832-32 Bearing	4
6	00005022	8822-3025 Bearing	4
7		Left pothole protection cylinder assembly (left side) (refer to 404.1)	1
		Right pothole protection cylinder assembly (right side) (refer to 405.1)	1
8	00004613	895-30065 Pin	2
9	00000080	895-30110 Pin	4
10	10011197	Pothole guard weldment (left side)	1
	10011194	Pothole guard weldment (right side)	1
11	10011209	Switch cover	2
12	00000876	Screw GB/T 70.1 M6×16	12
13	00000621	Washer GB/T 93 6	12
14	00000620	Washer GB/T 97.1 6	12
15	00001054	Screw GB/T 70.1 M4×12	8
16	00002228	Screw GB/T 70.1 M4×25	8
17	00000748	Limit switch	4
18	10011208	Switch bracket	4

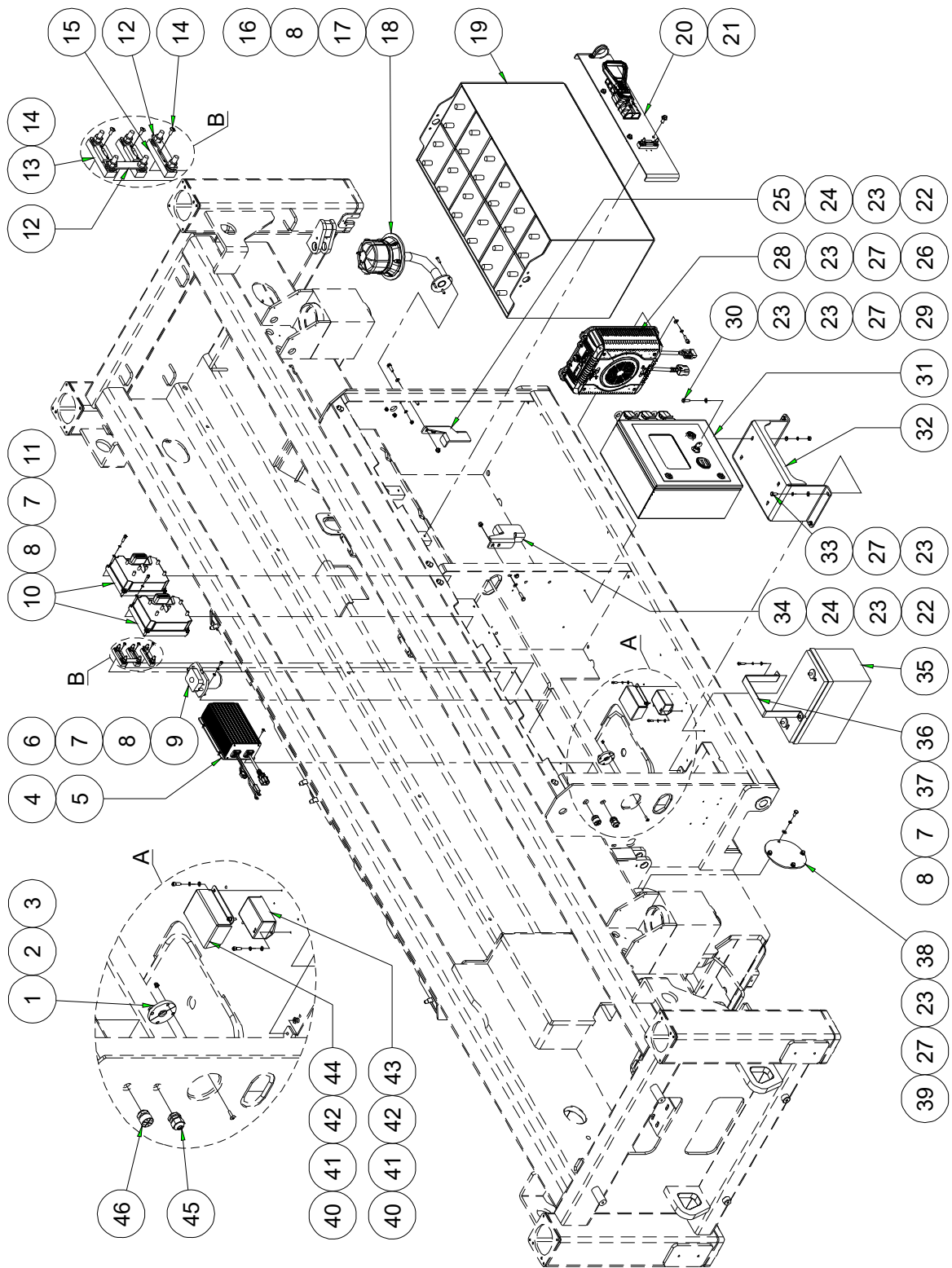
104.1 Right Tray Door Installation



104.1 Right Tray Door Installation

Item	Part No.	Description	Qty.
1	00001030	Screw GB/T 70.1 M5×10	9
2	00000606	Washer GB/T 93 5	9
3	10014250	Bumper strip	1
4	10011179	Front door	1
5	00000832	Screw GB/T 70.3 M6×25	6
6	00002574	Nut GB/T 6183.1 M6	6
7	10011979	Handle	3
8	10002550	Magnet	2
9	10011181	Rear door	1
10	00001986	Screw GB/T 818 M6×16 - H	6
11	00000620	Washer GB/T 97.1 6	16
12	10014251	Bumper strip	1
13	10014253	Baffle plate	1
14	00000876	Screw GB/T 70.1 M6×16	4
15	00000621	Washer GB/T 93 6	4
16	00001033	Nut GB/T 6182 M6	6
17	10002660	Hinge	1
18	10013713	Plexiglass plate	1
19	00000613	Nut GB/T 6182 M5	4
20	00000605	Washer GB/T 97.1 5	4
21	10013711	Control door weldment	1
22	00001991	Rivet GB/T 12618.4 4.8×16 (option)	8
23	10001178	Inserted pin (option)	8

105.1 Right Tray Assembly

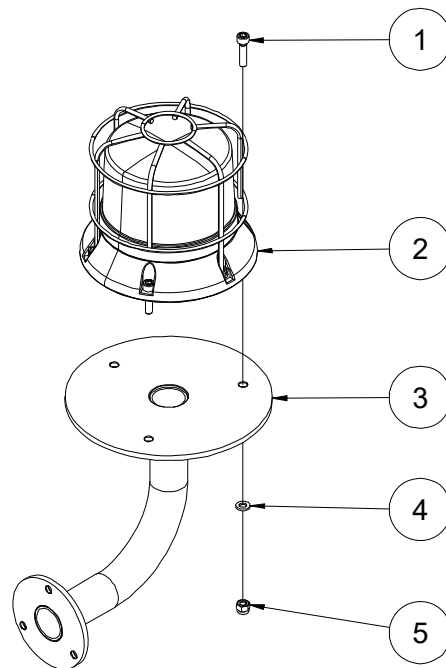


105.1 Right Tray Assembly

Item	Part No.	Description	Qty.
1	10000537	Half-round batten	2
2	00001013	Screw GB/T 973 M5×20	4
3	00002573	Nut GB/T 6183.1 M5	4
4	00001011	Screw GB/T 973 M5×12	4
5	00006067	Charger	1
6	00001060	Screw GB/T 818 M6×12 - H	2
7	00000621	Washer GB/T 93 6	12
8	00000620	Washer GB/T 97.1 6	15
9	00005407	DC Contactor	1
10	00000641	Motor controller	2
11	00001034	Screw GB/T 70.1 M6×25	8
12	50000099	Copper bar 3	2
13	00001031	350A Fuse assembly	2
--	00000758	350A Fuse	1
--	00000757	Fuse seat	1
14	00001003	Screw GB/T 973 M4×12	8
15	00000757	Fuse seat	1
16	00001033	Nut GB/T 6182 M6	3
17	00000832	Screw GB/T 70.3 M6×25	3
18		Beacon assembly (refer to 106.1)	1
19	10013774	Battery unit	1
20		Power connector assembly (refer to 107.1)	1
21	00002873	Bolt QC/T 340 M10×20	4
22	00000995	Bolt GB/T 5783 M8×30	4
23	00000608	Washer GB/T 97.1 8	24
24	00002575	Nut GB/T 6183.1 M8	4
25	10011235	Locating plate	1
26	00002555	Screw GB/T 70.1 M8×25	4
27	00000609	Washer GB/T 93 8	16

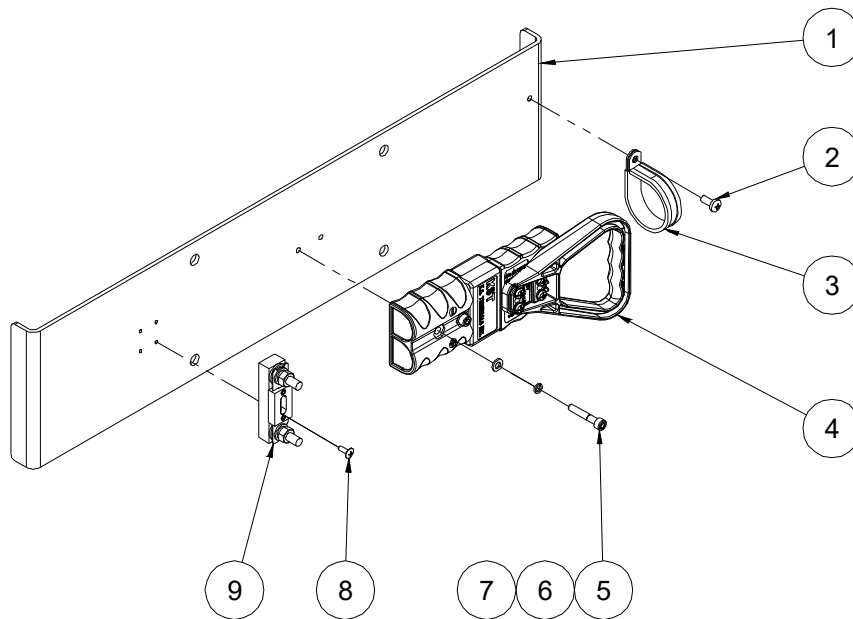
105.1 Right Tray Assembly

Item	Part No.	Description	Qty.
28	00005371	Charger	1
29	00000610	Nut GB/T 6170 M8	4
30	00000993	Bolt GB/T 5783 M8×25	4
31		Ground control box assembly (refer to 108.1)	1
32	10011480	Control box bracket	1
33	00000875	Bolt GB/T 5783 M8×20	4
34	10011234	Locating plate	1
35	00002200	Battery	1
36	10011211	Press plate	1
37	00000774	Screw GB/T 70.1 M6×20	2
38	10013703	Cover	1
39	00001063	Bolt GB/T 5783 M8×16	4
40	00001246	Screw GB/T 70.1 M5×16	4
41	00000606	Washer GB/T 93 5	4
42	00000605	Washer GB/T 97.1 5	4
43	00003962	Tilt sensor	1
44	10003942	Tilt sensor cover	1
45	00005080	Water-proof joint M20	1
46	00000652	Charger display	1

106.1 Beacon Assembly**106.1 Beacon Assembly**

Item	Part No.	Description	Qty.
1	00001034	Screw GB/T 70.1 M6×25	2
2	00004883	Beacon	1
3	10005463	Beacon bracket weldment	1
4	00000620	Washer GB/T 97.1 6	2
5	00001033	Nut GB/T 6182 M6	2

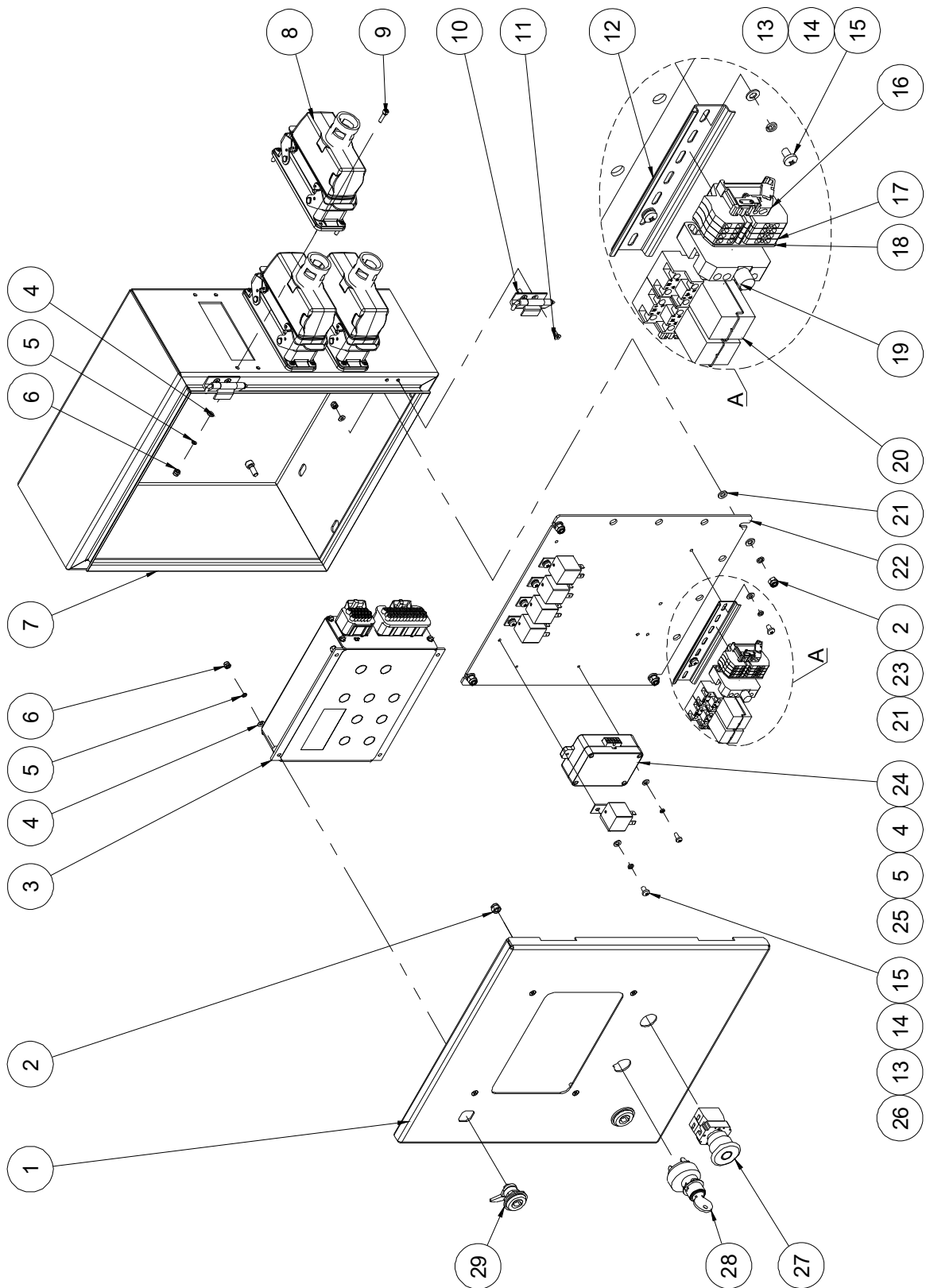
107.1 Power Connector Assembly



107.1 Power Connector Assembly

Item	Part No.	Description	Qty.
1	10013710	Bracket	1
2	00001231	Screw GB/T 818 M6×14 - H	1
3	10005186	Clamp	1
4	00006590	Power connector	1
5	00002934	Screw GB/T 70.1 M6×35	2
6	00000621	Washer GB/T 93 6	2
7	00000620	Washer GB/T 97.1 6	2
8	00001003	Screw GB/T 973 M4×12	2
9	00006265	600A Fuse assembly	1
--	00006266	600A Fuse	1
--	00000757	Fuse seat	1

108.1 Ground Control Box Assembly



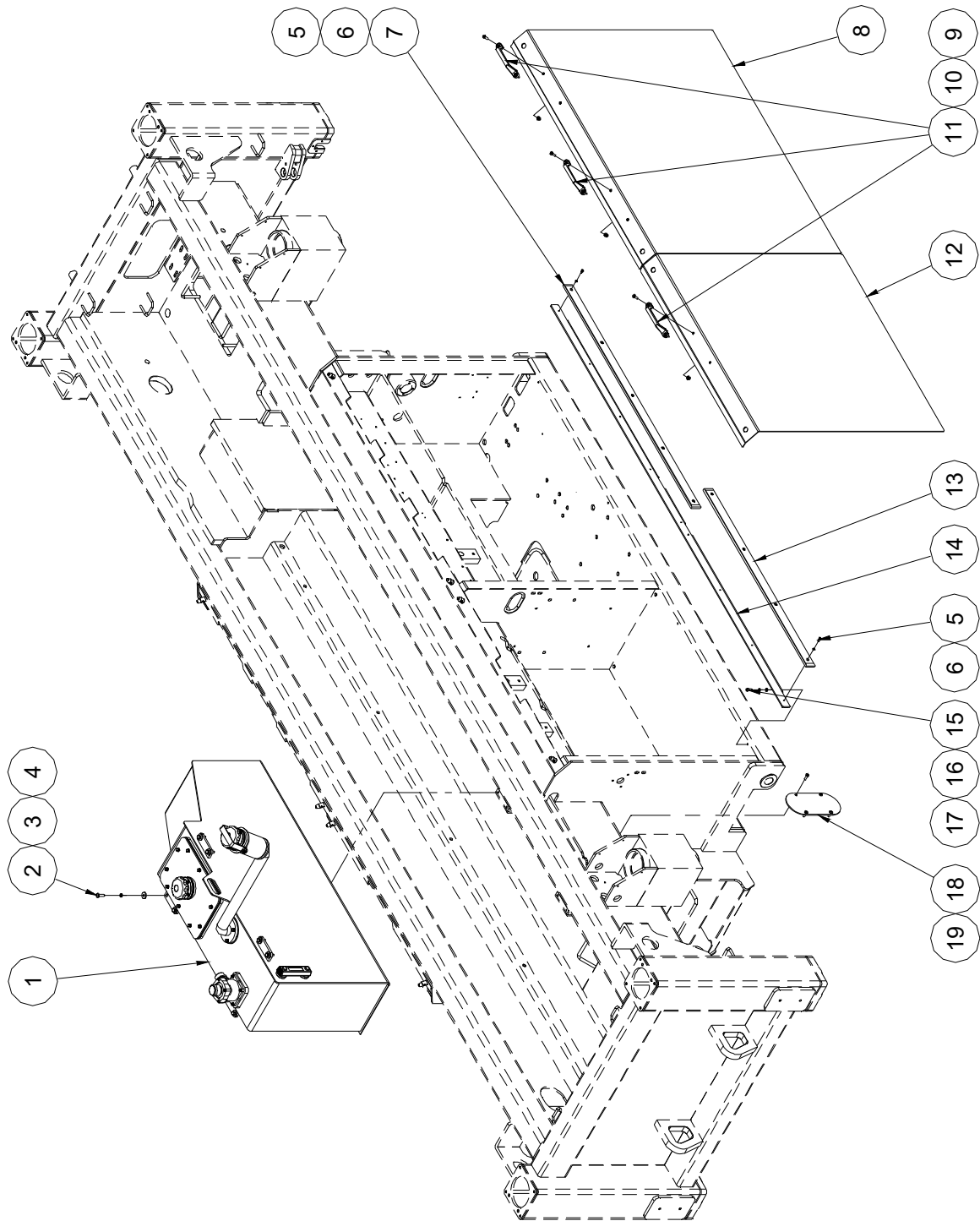
108.1 Ground Control Box Assembly

Item	Part No.	Description	Qty.
1	10016383	Ground control box cover	1
2	00000742	Nut GB/T 889.1 M6	6
3	00007940	Controller	1
4	00000778	Washer GB/T 97.1 4	21
5	00000779	Washer GB/T 93 4	17
6	00001236	Nut GB/T 889.1 M4	20
7	10011476	Ground control box weldment	1
8	00000724	Connector	3
9	00000604	Screw GB/T 70.1 M4×16	12
10	50000217	Hinge	2
11	00005259	Screw GB/T 819 M4×14 - H	4
12	10004977	Terminal rail	1
13	00000605	Washer GB/T 97.1 5	7
14	00000606	Washer GB/T 93 5	7
15	00002391	Screw GB/T 818 M5×8 - H	7
16	00000660	End, Fixation	2
17	00000659	End, Straight	4
18	00002593	End, Plate	1
19	00000661	End, Fuse	1
20	00000647	Relay	2
21	00000620	Washer GB/T 97.1 6	8
22	10013770	Mounting plate	1
23	00000621	Washer GB/T 93 6	4
24	00005449	Load sensor amplifier	1
25	00002026	Screw GB/T 818 M4×10 - H	1
26	00002206	Relay	5
27	00000923	Emergency stop switch	1
--	00000754	Red mushroom head	1
--	00000752	Base with 1 NC contact	1

108.1 Ground Control Box Assembly

Item	Part No.	Description	Qty.
--	00001245	NC contact	1
28	00001243	Key switch (key removable in off position)	1
	00003356	Key switch (key removable in all position)	1
--	00003050	Key	1
29	00001296	Latch, Column	2

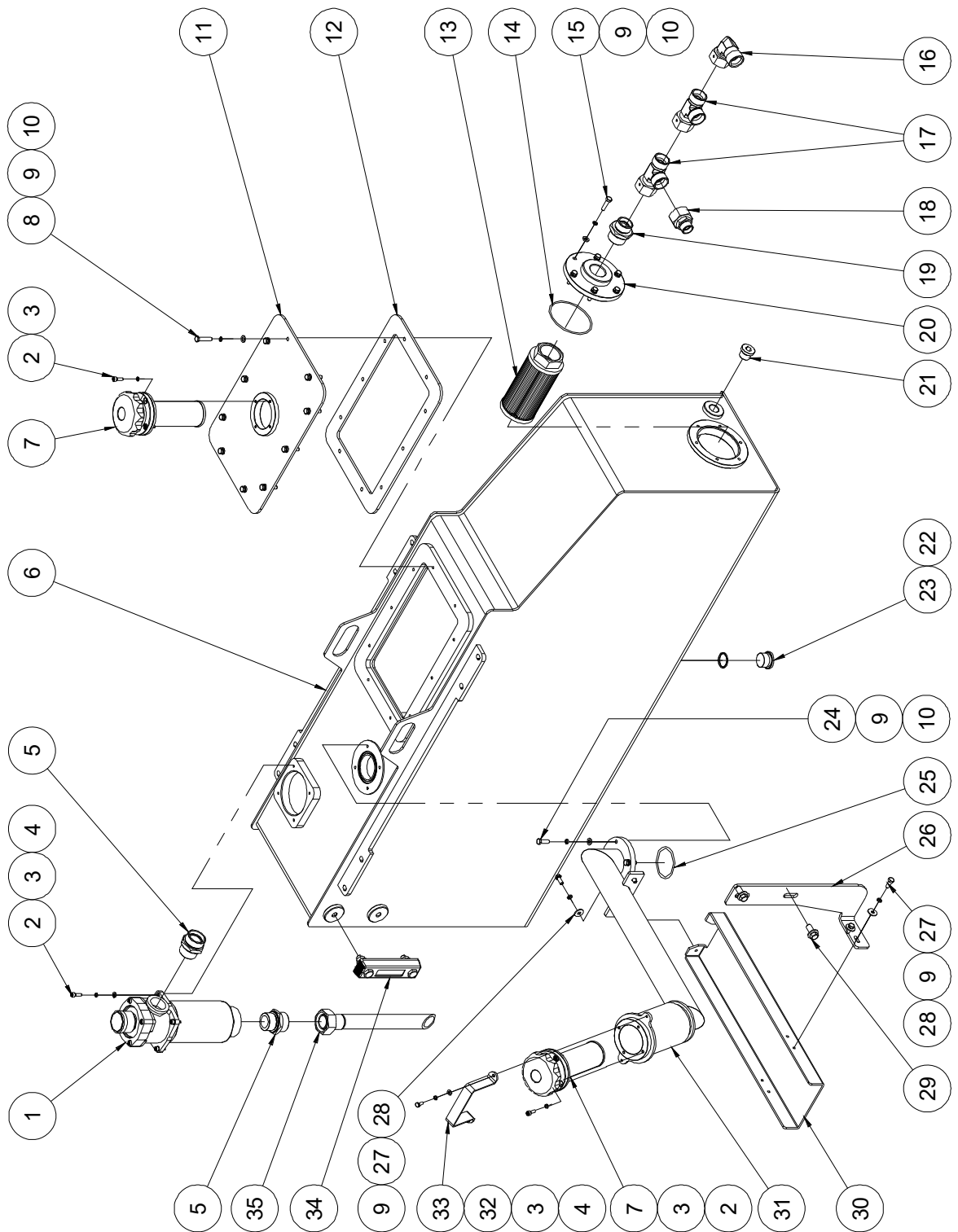
109.1 Left Tray Door and Hydraulic Tank Installation



109.1 Left Tray Door and Hydraulic Tank Installation

Item	Part No.	Description	Qty.
1		Hydraulic tank assembly (refer to 110.1)	1
2	00000993	Bolt GB/T 5783 M8×25	8
3	00000609	Washer GB/T 93 8	8
4	00002000	Washer GB/T 96.1 8	8
5	00001030	Screw GB/T 70.1 M5×10	9
6	00000606	Washer GB/T 93 5	9
7	10014251	Bumper strip	1
8	10011184	Rear door	1
9	00000832	Screw GB/T 70.3 M6×25	6
10	00002574	Nut GB/T 6183.1 M6	6
11	10011979	Handle	3
12	10011179	Front door	1
13	10014250	Bumper strip	1
14	10014249	Baffle plate	1
15	00000876	Screw GB/T 70.1 M6×16	4
16	00000621	Washer GB/T 93 6	4
17	00000620	Washer GB/T 97.1 6	4
18	10011233	Cover	1
19	00001166	Screw GB/T 818 M6×20 - H	4

110.1 Hydraulic Tank Assembly



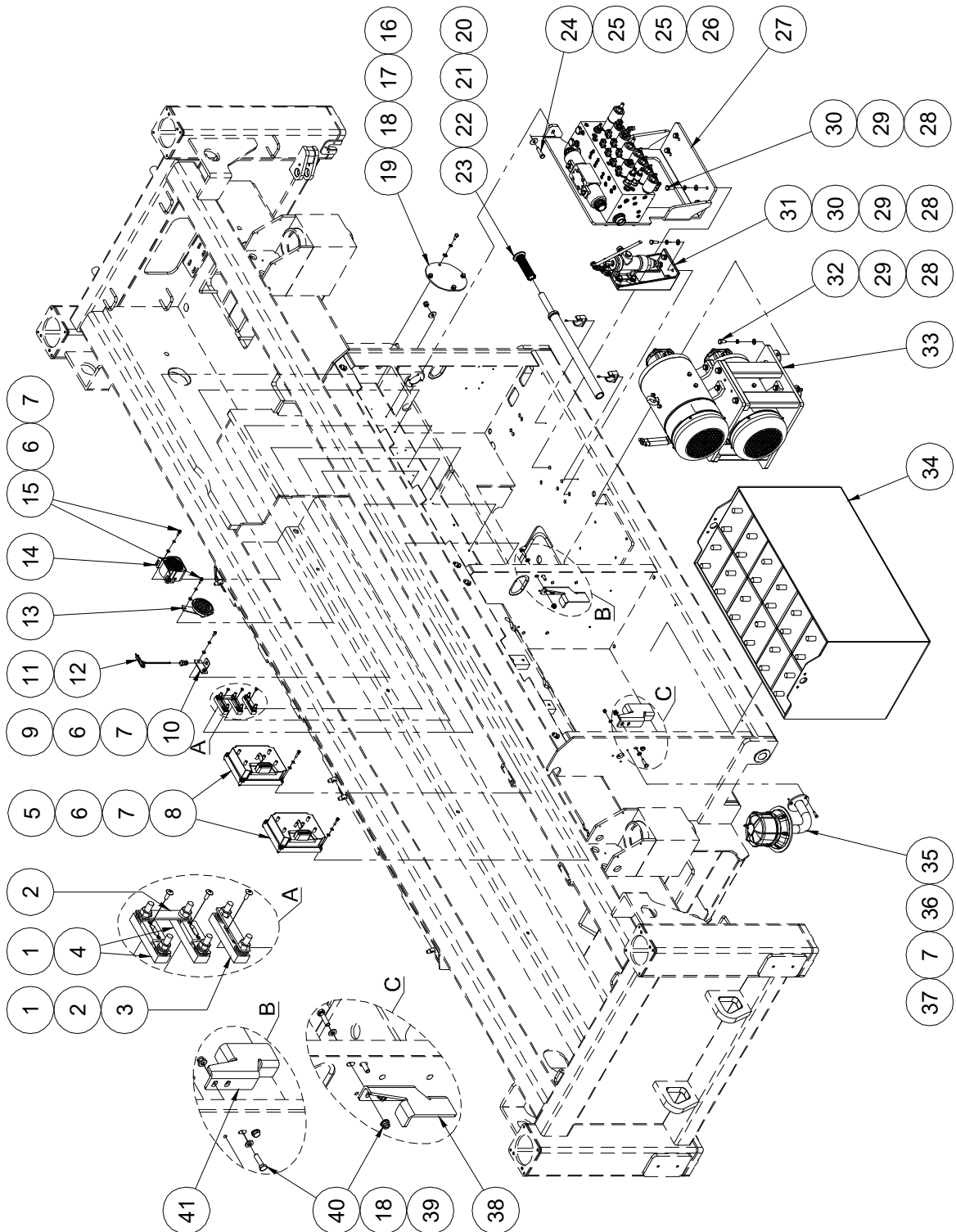
110.1 Hydraulic Tank Assembly

Item	Part No.	Description	Qty.
1	00003113	Return filter	1
--	00004416	Filter element	1
2	00001246	Screw GB/T 70.1 M5×16	12
3	00000606	Washer GB/T 93 5	14
4	00000605	Washer GB/T 97.1 5	6
5	00002071	Straight fitting	2
6	10014364	Hydraulic tank weldment	1
7	00000520	Air cleaner	2
8	00000775	Bolt GB/T 5783 M6×30	10
9	00000621	Washer GB/T 93 6	24
10	00000620	Washer GB/T 97.1 6	20
11	10011540	Cover weldment	1
12	10011541	Rubber pad	1
13	00000519	Suction filter	1
14	00001536	O-ring As568A 82.22×2.62	1
15	00000619	Bolt GB/T 5783 M6×25	6
16	00001836	Elbow	1
17	00001241	Tee fitting	2
18	00005691	Straight fitting	1
19	00001272	Straight fitting	1
20	50001437	Flange	1
21	00001076	Plug VST120×1.5ED	1
22	50000523	Washer	1
23	50000197	G3/4 Plug	1
24	00000743	Bolt GB/T 5783 M6×20	4
25	00001361	O-ring GB1235-76 60×3.1	1
26	10017457	Bracket	1
27	00000818	Bolt GB/T 5783 M6×16	4
28	00002583	Washer GB/T 96.1 6	4

110.1 Hydraulic Tank Assembly

Item	Part No.	Description	Qty.
29	00002873	Bolt QC/T 340 M10×20	2
30	10017763	Cover	1
31	10014177	Pipe	1
32	00002246	Bolt GB/T 5783 M5×12	2
33	10013558	Keeper bar	1
34	00001873	Level gauge	1
35	10011583	Pipe	1

111.1 Left Tray Assembly



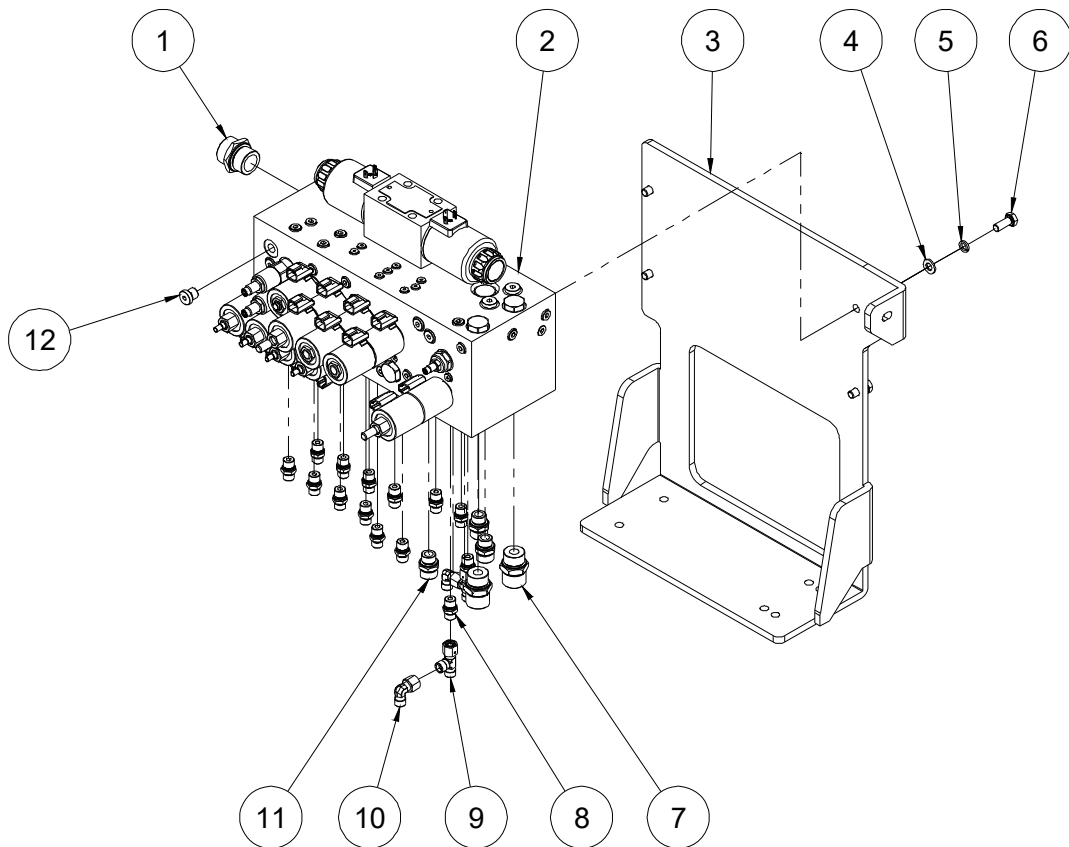
111.1 Left Tray Assembly

Item	Part No.	Description	Qty.
1	00001003	Screw GB/T 973 M4×12	6
2	50000099	Copper bar 3	2
3	00000757	Fuse seat	1
4	00001031	350A Fuse assembly	2
--	00000758	350A Fuse	1
--	00000757	Fuse seat	1
5	00001034	Screw GB/T 70.1 M6×25	8
6	00000621	Washer GB/T 93 6	10
7	00000620	Washer GB/T 97.1 6	16
8	00000641	Motor controller	2
9	00000745	Bolt GB/T 5783 M6×12	2
10	10012522	Bracket	1
11	00001825	Water-proof joint M12	1
12	00006828	Wrench GB/T 5356-3	1
13	00002212	Horn	1
14	00004438	Alarm	1
15	00000876	Screw GB/T 70.1 M6×16	3
16	00001063	Bolt GB/T 5783 M8×16	4
17	00000609	Washer GB/T 93 8	4
18	00000608	Washer GB/T 97.1 8	8
19	10013703	Cover	1
20	00001824	Clip 32	2
21	00004385	Screw GB/T 823 M4×8	2
22	10004795	Handle	1
23	10004798	Handle grip	1
24	00001041	Bolt GB/T 5783 M10×40	1
25	00001028	Washer GB/T 96.1 10	2
26	00000623	Nut GB/T 6182 M10	1
27		Function manifold assembly (refer to 112.1)	1

111.1 Left Tray Assembly

Item	Part No.	Description	Qty.
28	00000615	Washer GB/T 97.1 10	20
29	00000679	Washer GB/T 93 10	20
30	00000678	Bolt GB/T 5783 M10×25	8
31		Manual pump assembly (refer to 113.1)	1
32	00000674	Bolt GB/T 5783 M10×20	8
33		Pump motor assembly (refer to 114.1)	1
34	10013774	Battery unit	1
35		Beacon assembly (refer to 106.1)	1
36	00001033	Nut GB/T 6182 M6	6
37	00000832	Screw GB/T 70.3 M6×25	3
38	10011235	Locating plate	1
39	00000995	Bolt GB/T 5783 M8×30	4
40	00002575	Nut GB/T 6183.1 M8	4
41	10011234	Locating plate	1

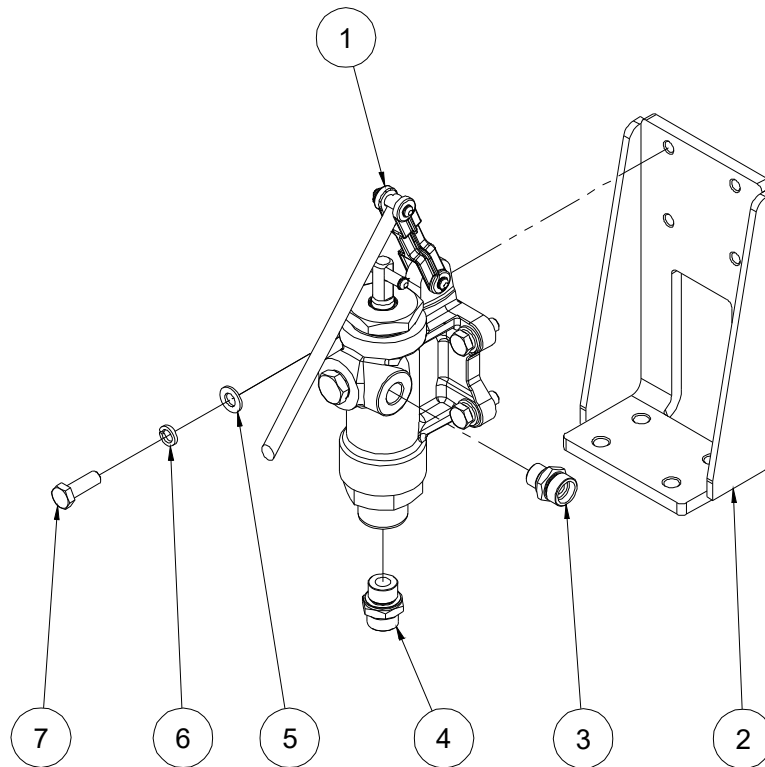
112.1 Function Manifold Assembly



112.1 Function Manifold Assembly

Item	Part No.	Description	Qty.
1	00002071	Straight fitting	1
2		Function manifold (refer to 406.1, 406.2, 406.3)	1
3	10014193	Function manifold bracket	1
4	00000615	Washer GB/T 97.1 10	4
5	00000679	Washer GB/T 93 10	4
6	00000678	Bolt GB/T 5783 M10×25	4
7	00003696	Straight fitting	2
8	00001282	Straight fitting	14
9	00001237	Tee fitting	2
10	00001832	Elbow	2
11	00001264	Straight fitting	3
12	00001073	Plug VST114×1.5ED	1

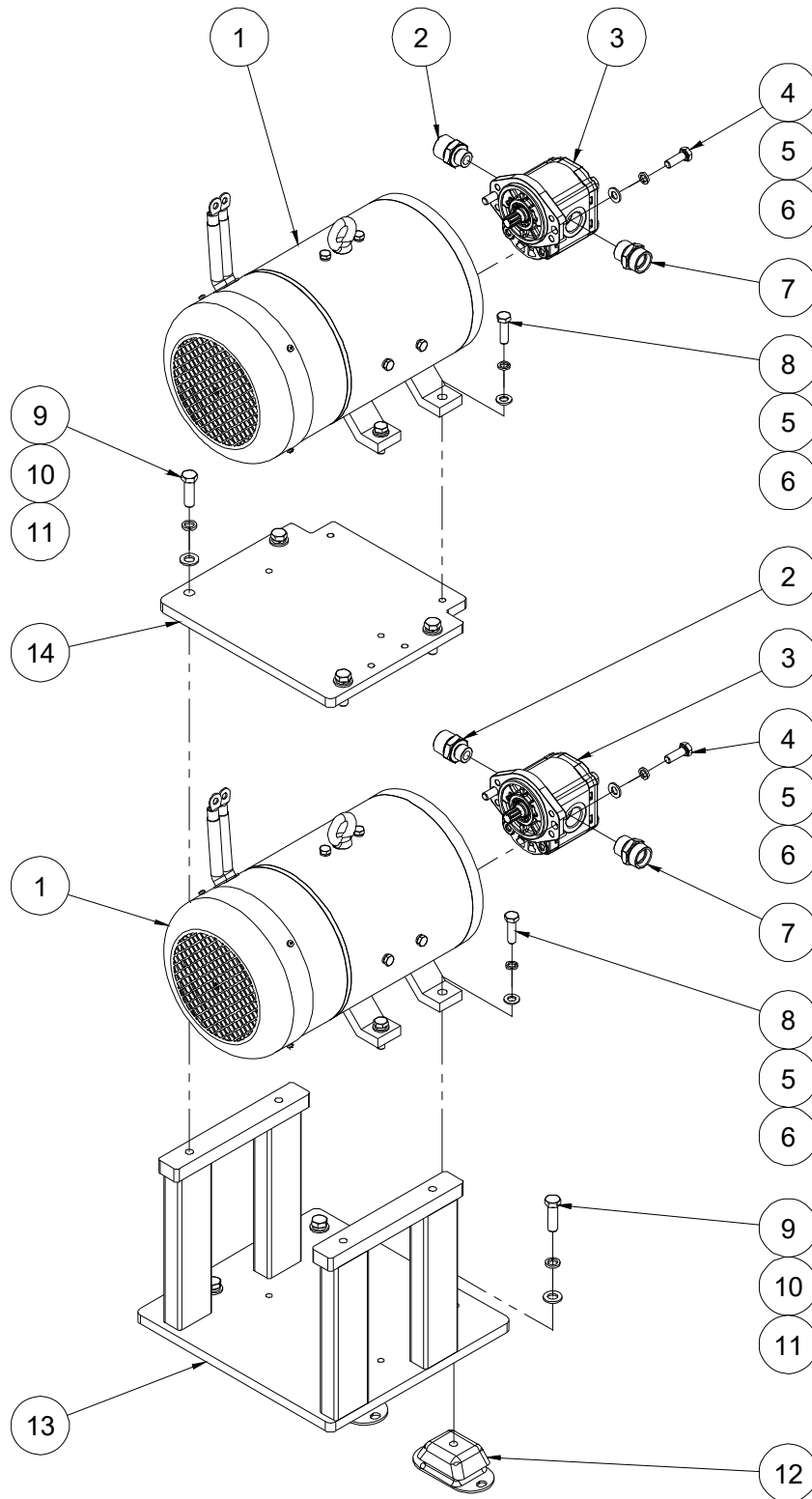
113.1 Manual Pump Assembly



113.1 Manual Pump Assembly

Item	Part No.	Description	Qty.
1	00000315	Manual pump	1
2	10004781	Manual pump bracket	1
3	00001507	Straight fitting	1
4	00001506	Straight fitting	1
5	00000615	Washer GB/T 97.1 10	4
6	00000679	Washer GB/T 93 10	4
7	00000683	Bolt GB/T 5783 M10×30	4

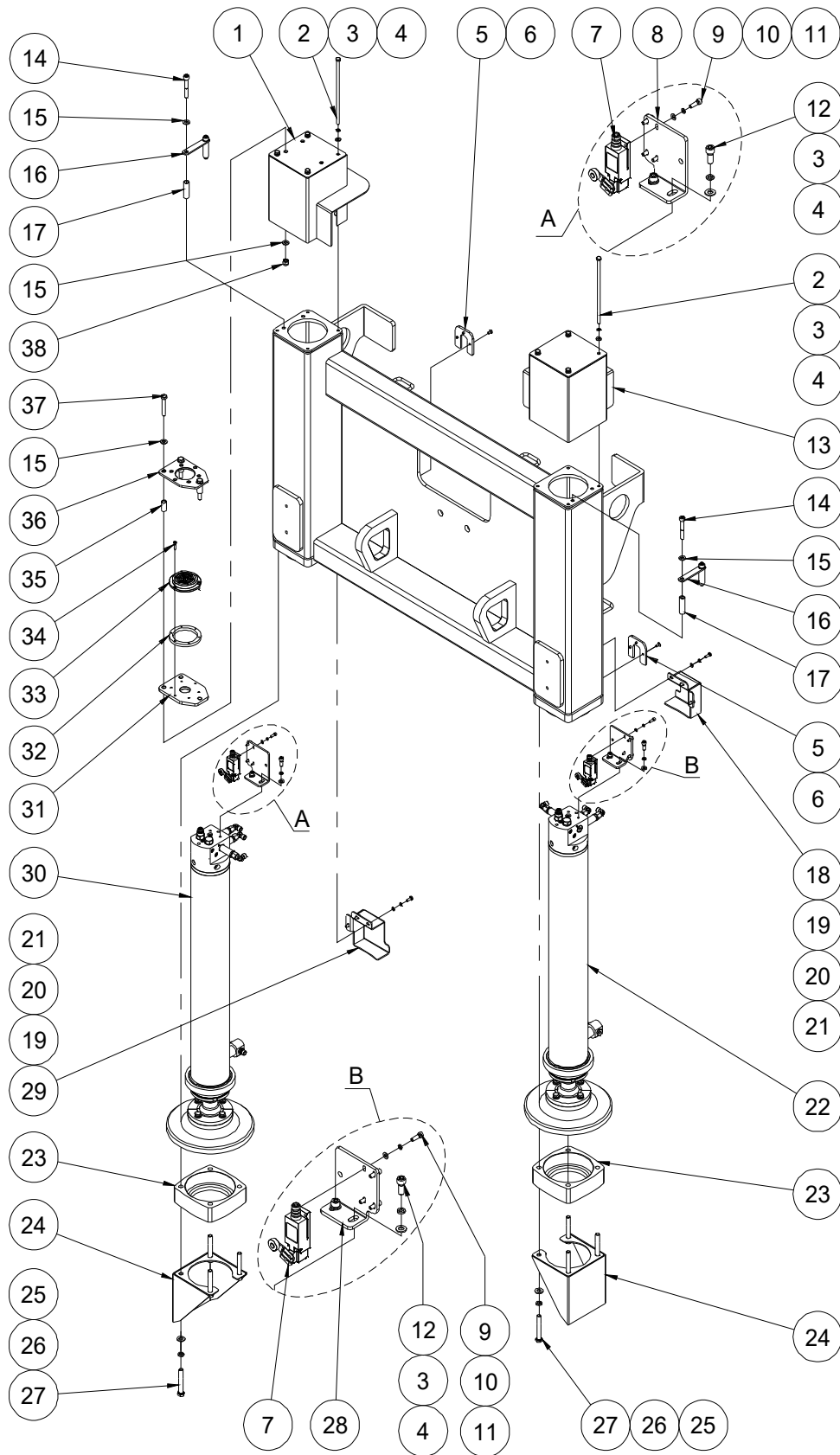
114.1 Pump Motor Assembly



114.1 Pump Motor Assembly

Item	Part No.	Description	Qty.
1	00007214	Motor	2
2	00001748	Straight fitting	2
3	00005728	Pump	2
4	00000683	Bolt GB/T 5783 M10×30	4
5	00000679	Washer GB/T 93 10	12
6	00000615	Washer GB/T 97.1 10	12
7	00001512	Straight fitting	2
8	00000684	Bolt GB/T 5783 M10×35	8
9	00001055	Bolt GB/T 5783 M12×40	8
10	00000815	Washer GB/T 93 12	8
11	00000814	Washer GB/T 97.1 12	8
12	00002162	Absorber	4
13	10013729	Motor bracket	1
14	10013734	Base plate	1

115.1 Outriggers Assembly



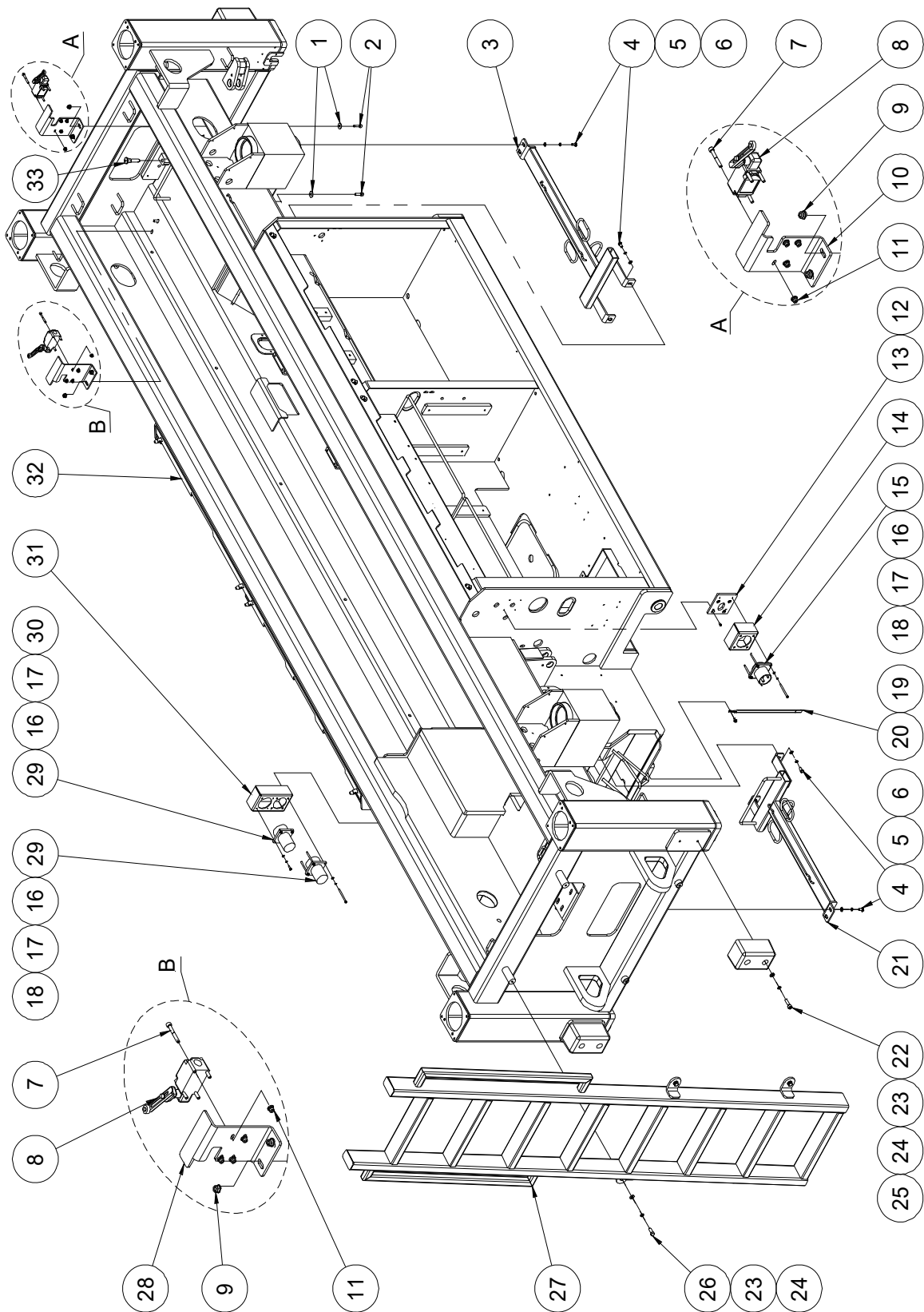
115.1 Outriggers Assembly

Item	Part No.	Description	Qty.
1	10010981	Outrigger cover (without bubble level)	1
	10012159	Outrigger cover (with bubble level)	1
2	00007660	Bolt GB/T 5782 M8×220	8
3	00000609	Washer GB/T 93 8	12
4	00000608	Washer GB/T 97.1 8	12
5	10010273	Rubber block	2
6	00000829	Screw GB/T 70.3 M6×12	6
7	00000748	Limit switch	2
8	10010155	Switch bracket	1
9	00001246	Screw GB/T 70.1 M5×16	8
10	00000606	Washer GB/T 93 5	8
11	00000605	Washer GB/T 97.1 5	8
12	00001061	Screw GB/T 70.1 M8×20	4
13	10010981	Outrigger cover	1
14	00002563	Screw GB/T 70.1 M10×65	4
15	00000615	Washer GB/T 97.1 10	10
16	10010158	Signal plate	2
17	10010173	Spacer sleeve	4
18	10021582	Cover 2	1
19	00000620	Washer GB/T 97.1 6	6
20	00000621	Washer GB/T 93 6	6
21	00000818	Bolt GB/T 5783 M6×16	6
22		Left outrigger cylinder assembly (without seal kit) (refer to 402.1)	1
23	10010132	Outrigger seat	2
24	10012523	Outrigger support frame	2
25	00000814	Washer GB/T 97.1 12	8
26	00000815	Washer GB/T 93 12	8
27	00002527	Bolt GB/T 5782 M12×80	8

115.1 Outriggers Assembly

Item	Part No.	Description	Qty.
28	10010157	Switch bracket	1
29	10021581	Cover 1	1
30		Right outrigger cylinder assembly (without seal kit) (refer to 403.1)	1
31	10012155	Bubble level mount plate (option)	1
32	10004271	Rubber pad (option)	1
33	10004259	Bubble level (option)	1
34	00000817	Screw GB/T 70.1 M5×20 (option)	3
35	10012156	Spacer sleeve (option)	3
36	10012157	Bubble level cover (option)	1
37	00002508	Bolt GB/T 5783 M10×60 (option)	3
38	00000623	Nut GB/T 6182 M10 (option)	3

116.1 Ladder and Chassis Accessory Installation



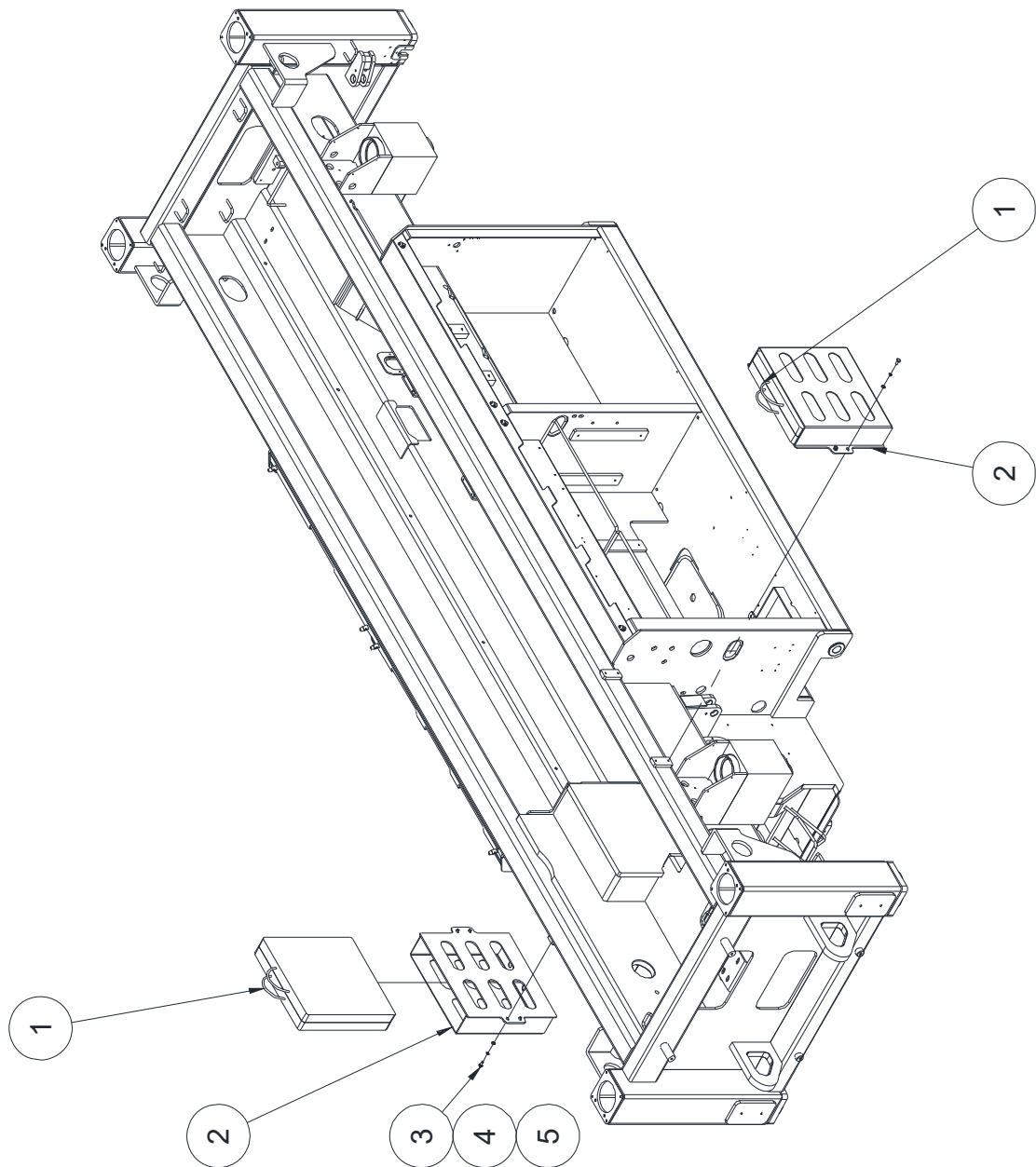
116.1 Ladder and Chassis Accessory Installation

Item	Part No.	Description	Qty.
1	00002000	Washer GB/T 96.1 8	4
2	00002560	Screw GB/T 70.1 M8×30	4
3	10011228	Cable bridge weldment	1
4	00001063	Bolt GB/T 5783 M8×16	8
5	00000609	Washer GB/T 93 8	8
6	00000608	Washer GB/T 97.1 8	8
7	00001165	Screw GB/T 70.1 M6×45	8
8	00000749	Limit switch	2
9	00002575	Nut GB/T 6183.1 M8	4
10	10011865	Switch bracket	1
11	00002574	Nut GB/T 6183.1 M6	8
12	00002337	Screw GB/T 819 M5×12 - H(option)	4
13	10023382	Mounting plate(option)	1
14	10023381	Plug bracket (option)	1
15	00008074	Plug (option)	1
16	00000605	Washer GB/T 97.1 5 (option)	12
17	00000606	Washer GB/T 93 5 (option)	12
18	00008589	Bolt GB/T 5782 M5×70 (option)	8
19	00002863	Bolt QC/T 340 M6×10	1
20	10002979	Ground strap	1
21	10011223	Cable bridge weldment	1
22	00002238	Screw GB/T 70.1 M10×35	8
23	00000679	Washer GB/T 93 10	12
24	00000615	Washer GB/T 97.1 10	12
25	10010171	Bumper	4
26	00000678	Bolt GB/T 5783 M10×25	4
27	10017948	Ladder (JCPT2212DC)	1
	10017956	Ladder (JCPT1912DC)	1
28	10014952	Switch bracket	1

116.1 Ladder and Chassis Accessory Installation

Item	Part No.	Description	Qty.
29	00008591	Plug (option)	2
30	00003949	Bolt GB/T 5783 M5×16 (option)	4
31	10017968	Plug bracket (option)	1
32	10022975	Frame weldment	1
33	10012192	Inserted pin	1

117.1 Outrigger Plate (Option)

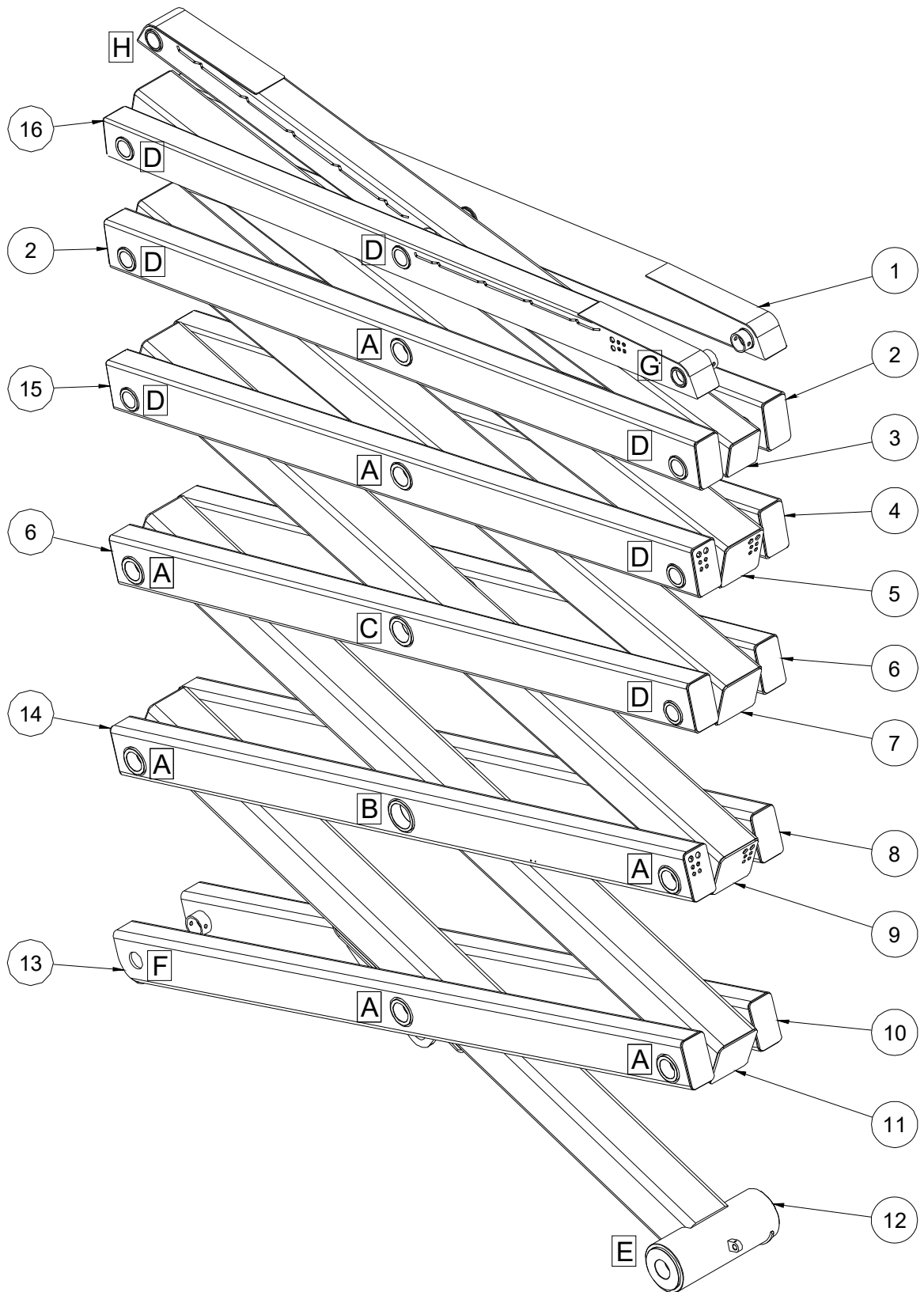


117.1 Outrigger Plate (Option)

Item	Part No.	Description	Qty.
1	10018531	Outrigger plate	4
2	10025982	Plate box weldment	2
3	00001063	Bolt GB/T 5783 M8×16	8
4	00000609	Washer GB/T 93 8	8
5	00000608	Washer GB/T 97.1 8	8

Section 2 Scissor

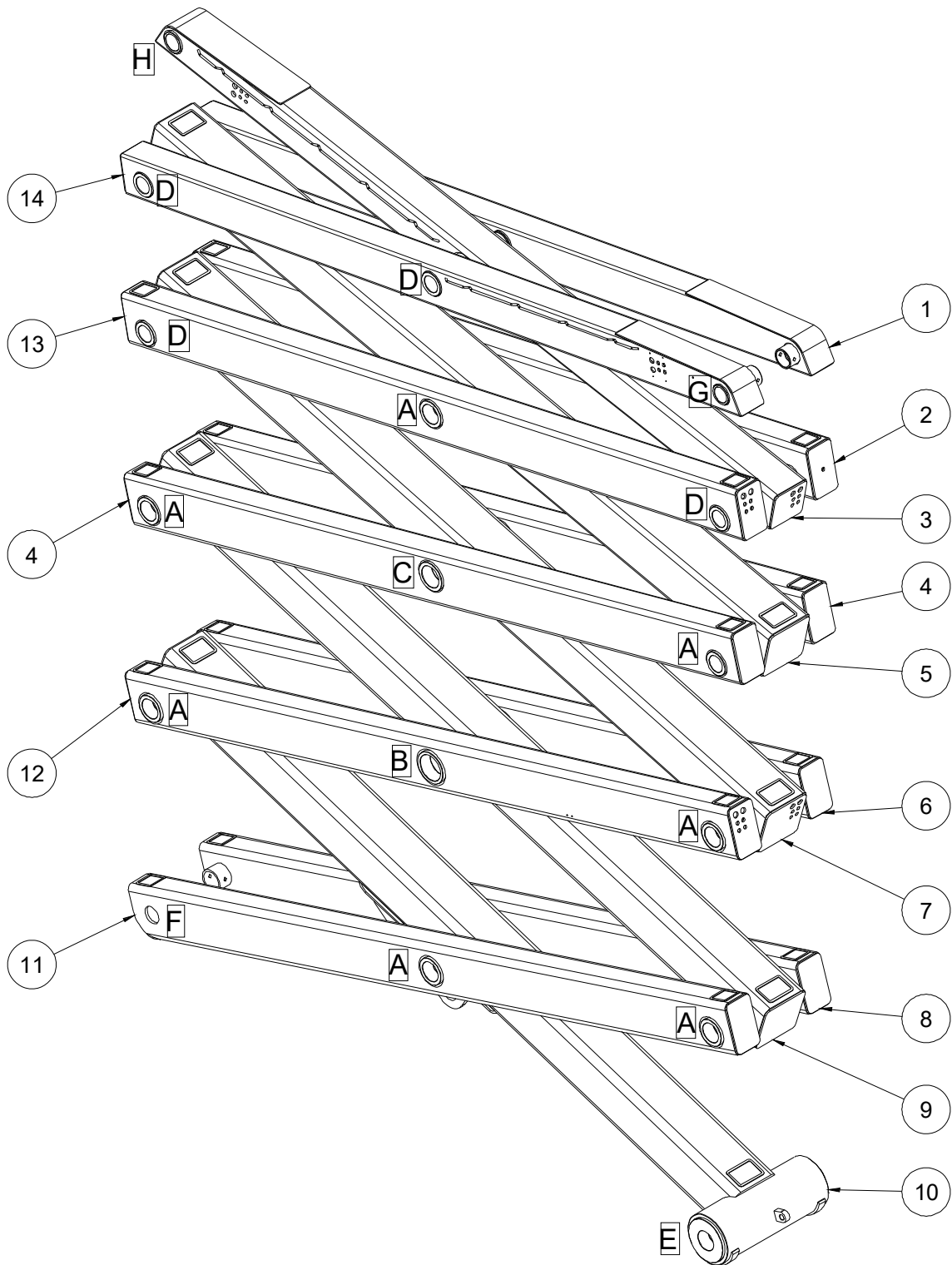
201.1 Scissor Arms Installation (JCPT2212DC)



201.1 Scissor Arms Installation (JCPT2212DC)

Item	Part No.	Description	Qty.
1	10009256	Outer arm 6, right	1
2	10017467	Outer arm 5	2
3	10009223	Inner arm 6	1
4	10017462	Outer arm 4, right	1
5	10017469	Inner arm 5	1
6	10017458	Outer arm 3	2
7	10017465	Inner arm 4	1
8	10009283	Outer arm 2, right	1
9	10017460	Inner arm 3	1
10	10009233	Outer arm 1, right	1
11	10009212	Inner arm 2	1
12	10009209	Inner arm 1	1
13	10009227	Outer arm 1, left	1
14	10009237	Outer arm 2, left	1
15	10017464	Outer arm 4, left	1
16	10009254	Outer arm 6, left	1

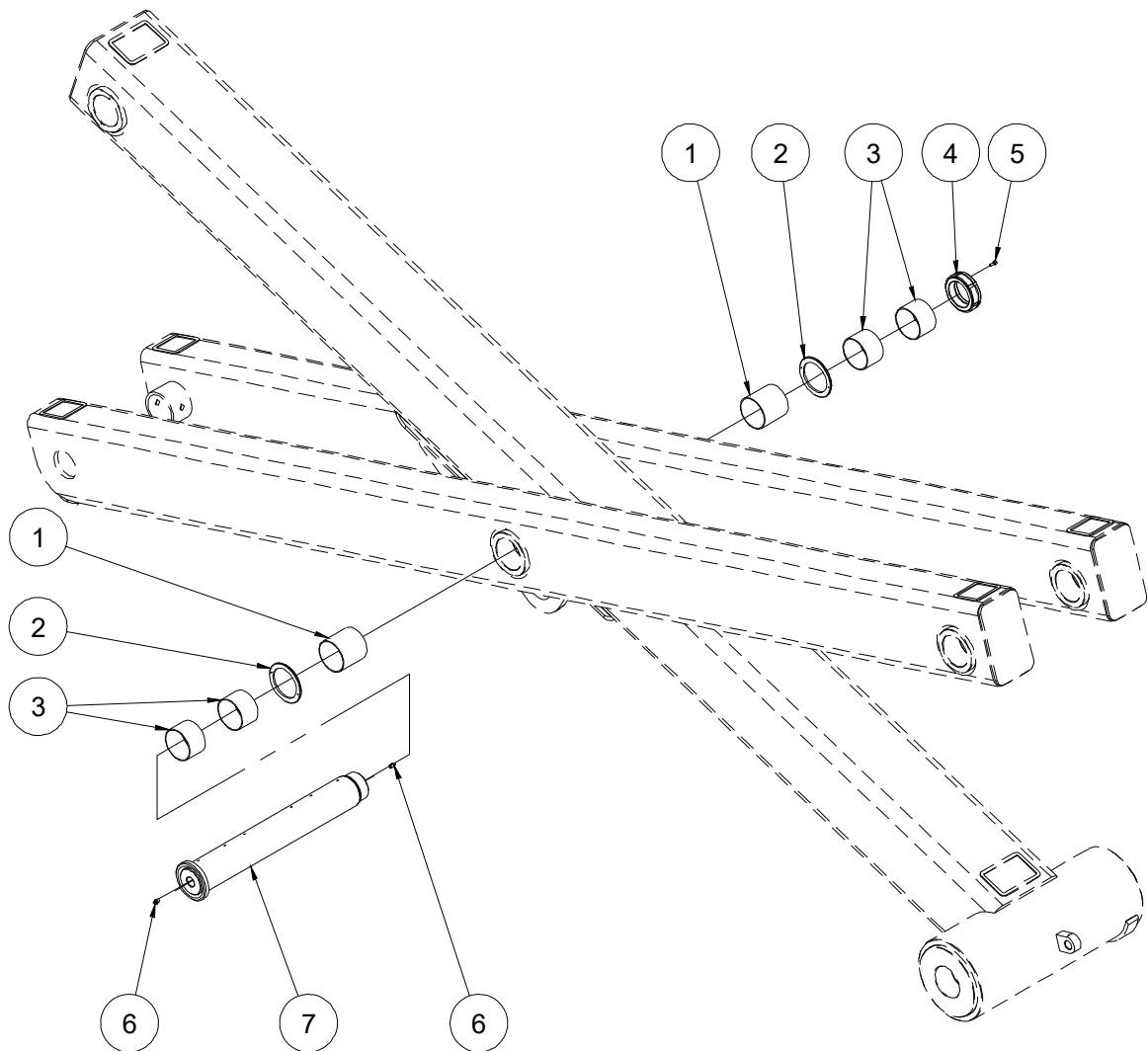
201.2 Scissor Arms Installation (JCPT1912DC)



201.2 Scissor Arms Installation (JCPT1912DC)

Item	Part No.	Description	Qty.
1	10009256	Outer arm 6, right	1
2	10017462	Outer arm 4, right	1
3	10016526	Inner arm 6	1
4	10017458	Outer arm 3	2
5	10017465	Inner arm 4	1
6	10009283	Outer arm 2, right	1
7	10017460	Inner arm 3	1
8	10009233	Outer arm 1, right	1
9	10009212	Inner arm 2	1
10	10009209	Inner arm 1	1
11	10009227	Outer arm 1, left	1
12	10009237	Outer arm 2, left	1
13	10017464	Outer arm 4, left	1
14	10009254	Outer arm 6, left	1

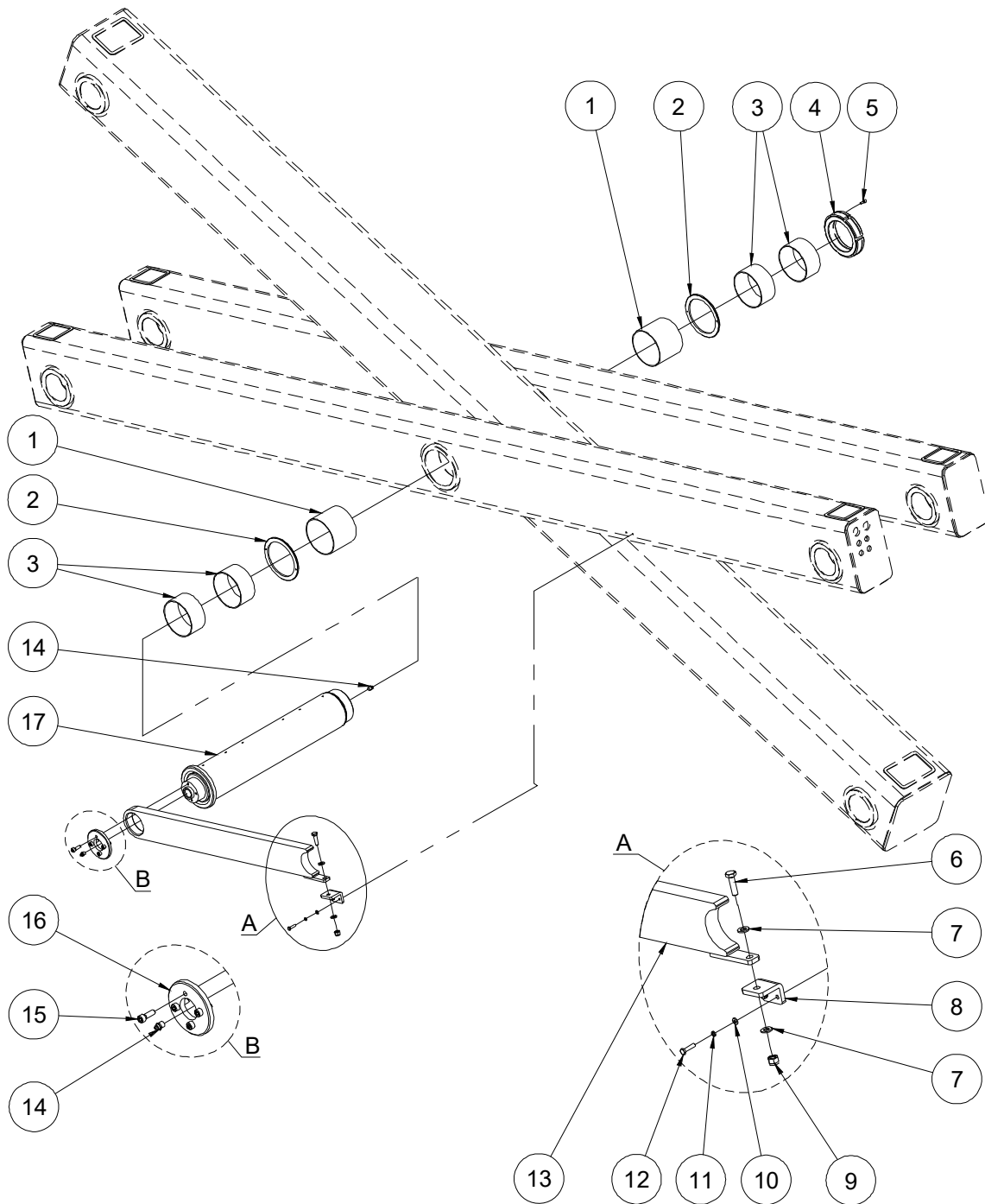
202.1 Scissor Arm pin joint A



202.1 Scissor Arm pin joint A

Item	Part No.	Description	Qty.
1	00006140	8812-909590A Bearing	2
2	10009382	Washer 90	2
3	00006149	8812-909560A Bearing	4
4	10017506	Nu M80	1
5	00000876	Screw GB/T 70.1 M6×16	4
6	00004483	Grease nipple GB/T 1152 M10×1	2
7	10009358	Pin 90	1

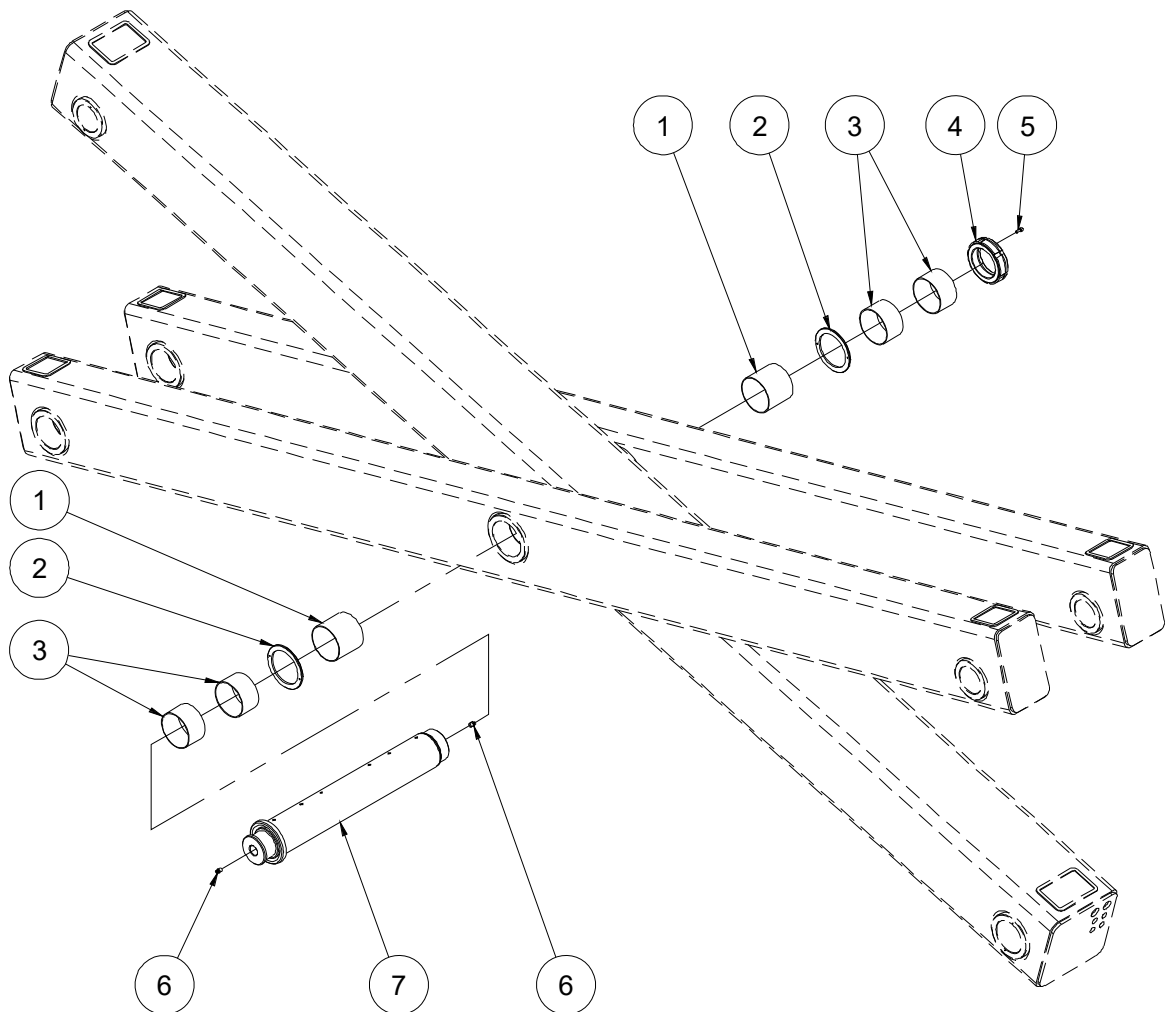
203.1 Scissor Arm pin joint B



203.1 Scissor Arm pin joint B

Item	Part No.	Description	Qty.
1	00006146	8812-120125100A Bearing	2
2	10009384	Washer 120	2
3	00006151	8812-12012560A Bearing	4
4	10017504	Nut M110	1
5	00000876	Screw GB/T 70.1 M6×16	6
6	00000684	Bolt GB/T 5783 M10×35	1
7	00000615	Washer GB/T 97.1 10	2
8	10009578	Bracket	1
9	00000623	Nut GB/T 6182 M10	1
10	00000620	Washer GB/T 97.1 6	2
11	00000621	Washer GB/T 93 6	2
12	00000619	Bolt GB/T 5783 M6×25	2
13	10009274	Safety arm	1
14	00004483	Grease nipple GB/T 1152 M10×1	2
15	00002555	Screw GB/T 70.1 M8×25	4
16	10009264	Safety arm retainer	1
17	10009381	Pin 120	1

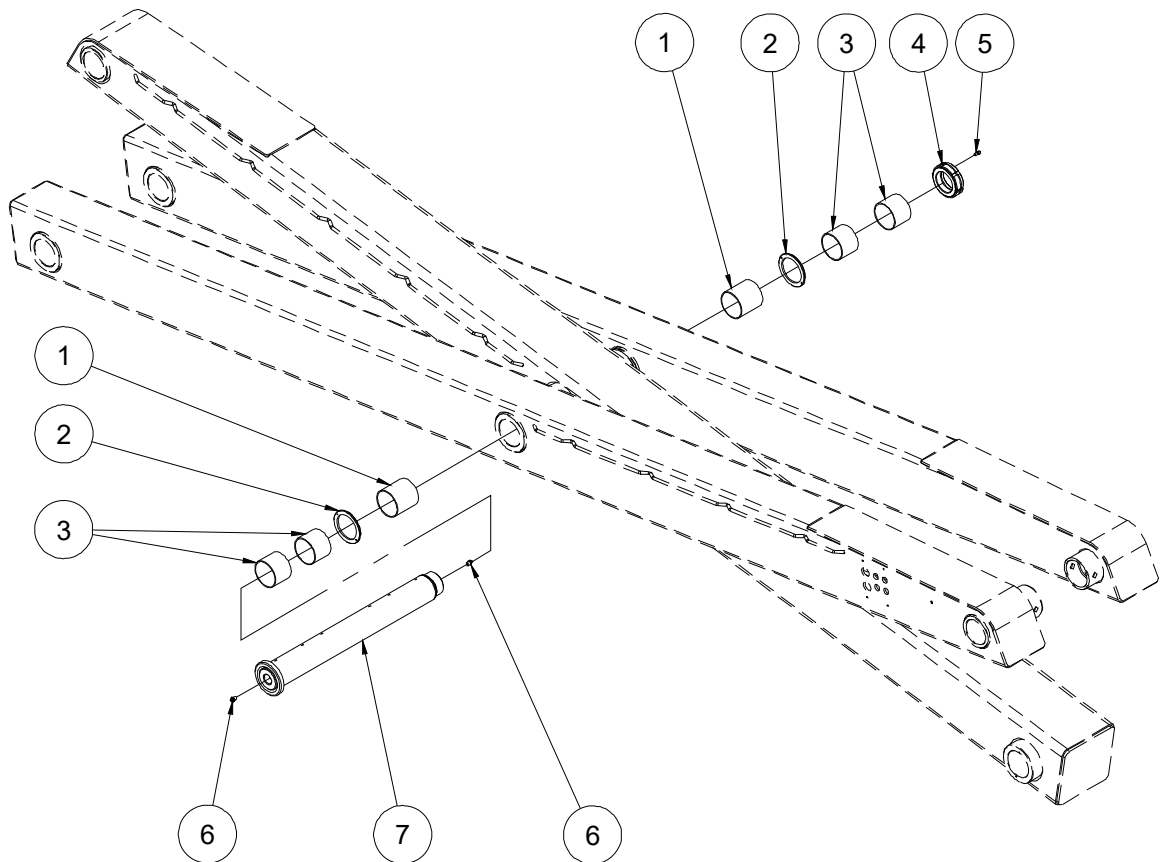
204.1 Scissor Arm pin joint C



204.1 Scissor Arm pin joint C

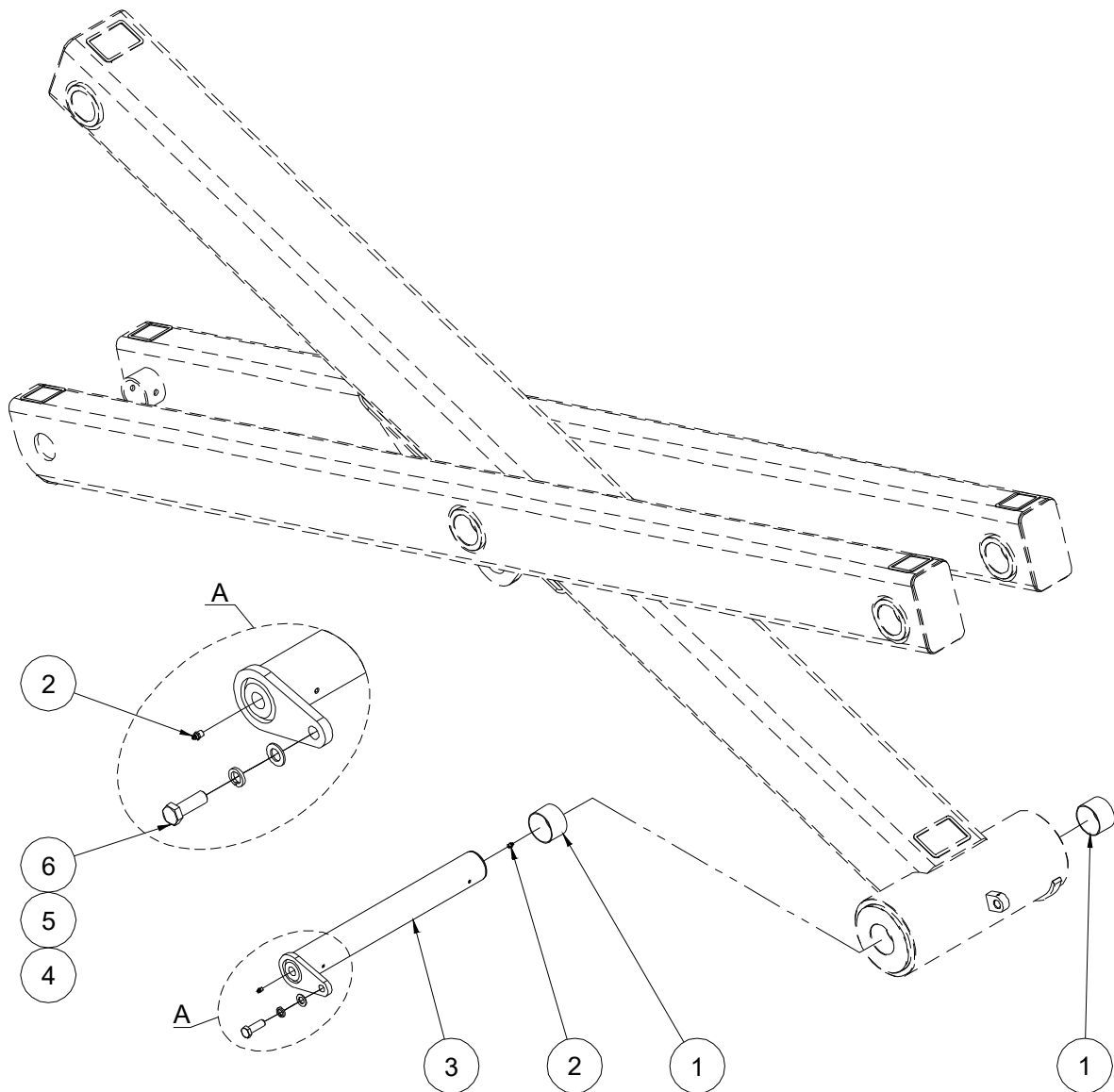
Item	Part No.	Description	Qty.
1	00006145	8812-10010590A Bearing	2
2	10009383	Washer 100	2
3	00006150	8812-10010560A Bearing	4
4	10017505	Nu M90	1
5	00000876	Screw GB/T 70.1 M6×16	4
6	00004483	Grease nipple GB/T 1152 M10×1	2
7	10009380	Pin 100	1

205.1 Scissor Arm pin joint D



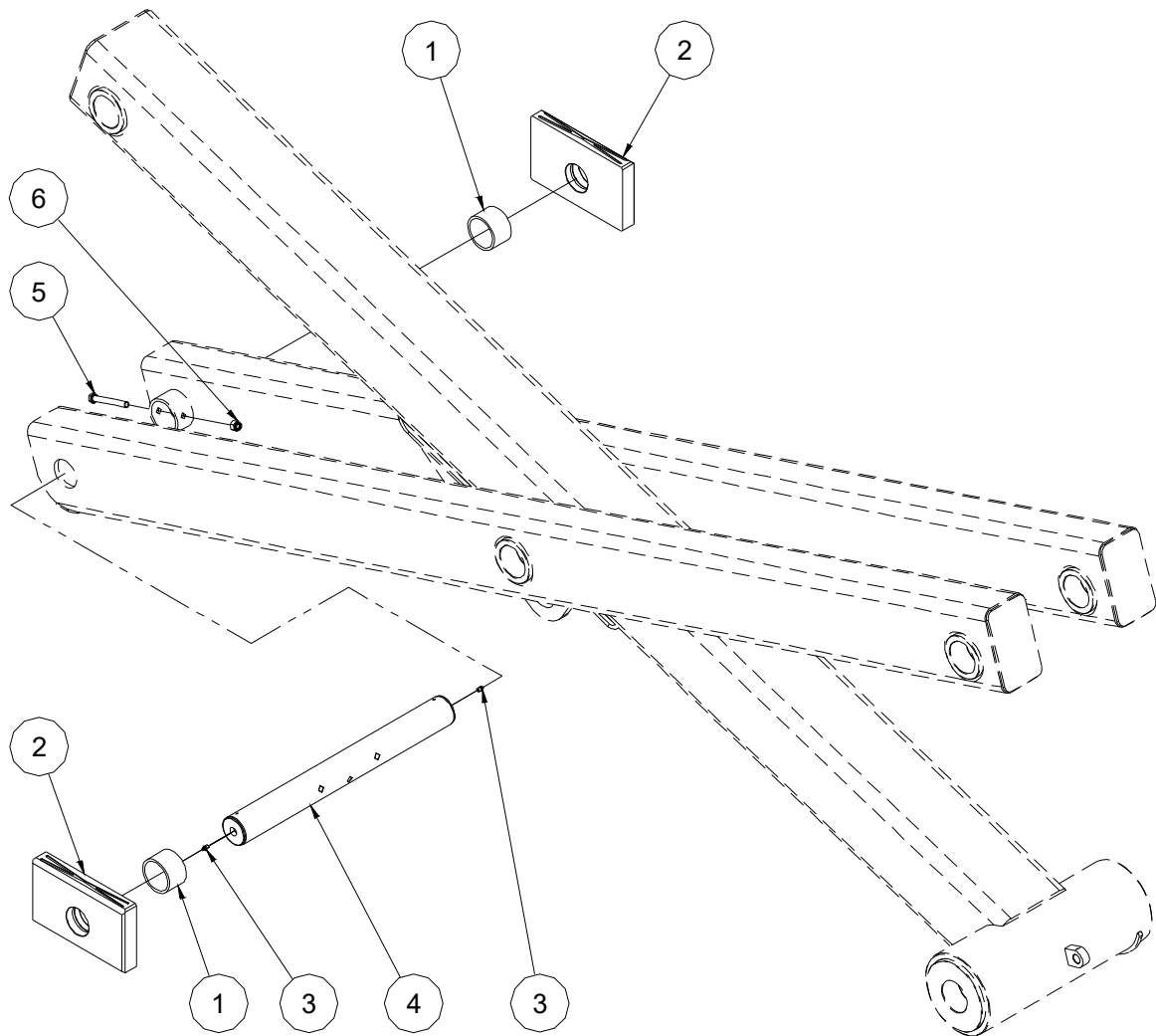
205.1 Scissor Arm pin joint D

Item	Part No.	Description	Qty.
1	00006144	8812-758080A Bearing	2
2	10009374	Washer 75	2
3	00006143	8812-758060A Bearing	4
4	10017507	Nut M64	1
5	00002029	Screw GB/T 70.1 M6×12	4
6	00004483	Grease nipple GB/T 1152 M10×1	2
7	10009379	Pin 75	1

206.1 Scissor Arm pin joint E**206.1 Scissor Arm pin joint E**

Item	Part No.	Description	Qty.
1	00006149	8812-909560A Bearing	2
2	00004483	Grease nipple GB/T 1152 M10×1	2
3	10009378	Pin	1
4	00001050	Washer GB/T 97.1 20	1
5	00002219	Washer GB/T 93 20	1
6	00002224	Bolt GB/T 5783 M20×50	1

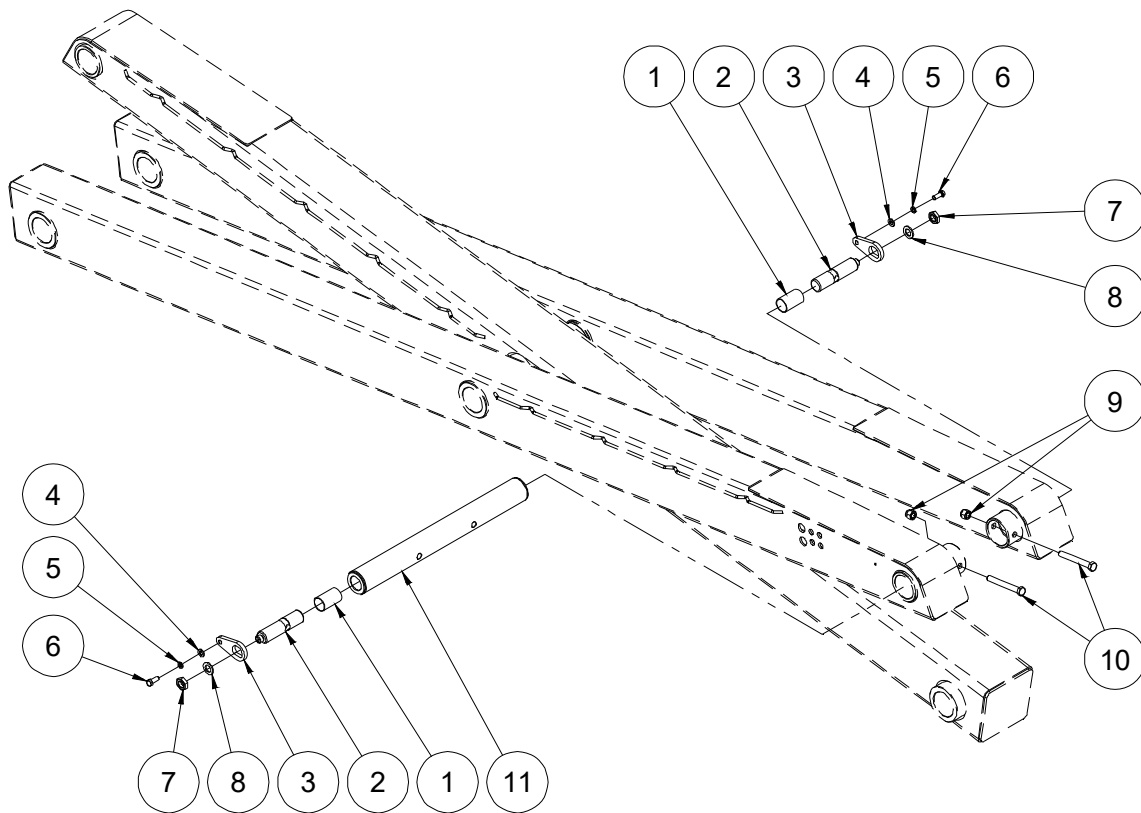
207.1 Scissor Arm pin joint F



207.1 Scissor Arm pin joint F

Item	Part No.	Description	Qty.
1	10009580	Spacer sleeve	2
2	10009258	Chassis slider	2
3	00004483	Grease nipple GB/T 1152 M10×1	2
4	10009357	Pin	1
5	00001109	Bolt GB/T 5782 M16×130	2
6	00001257	Nut GB/T 6182 M16	2

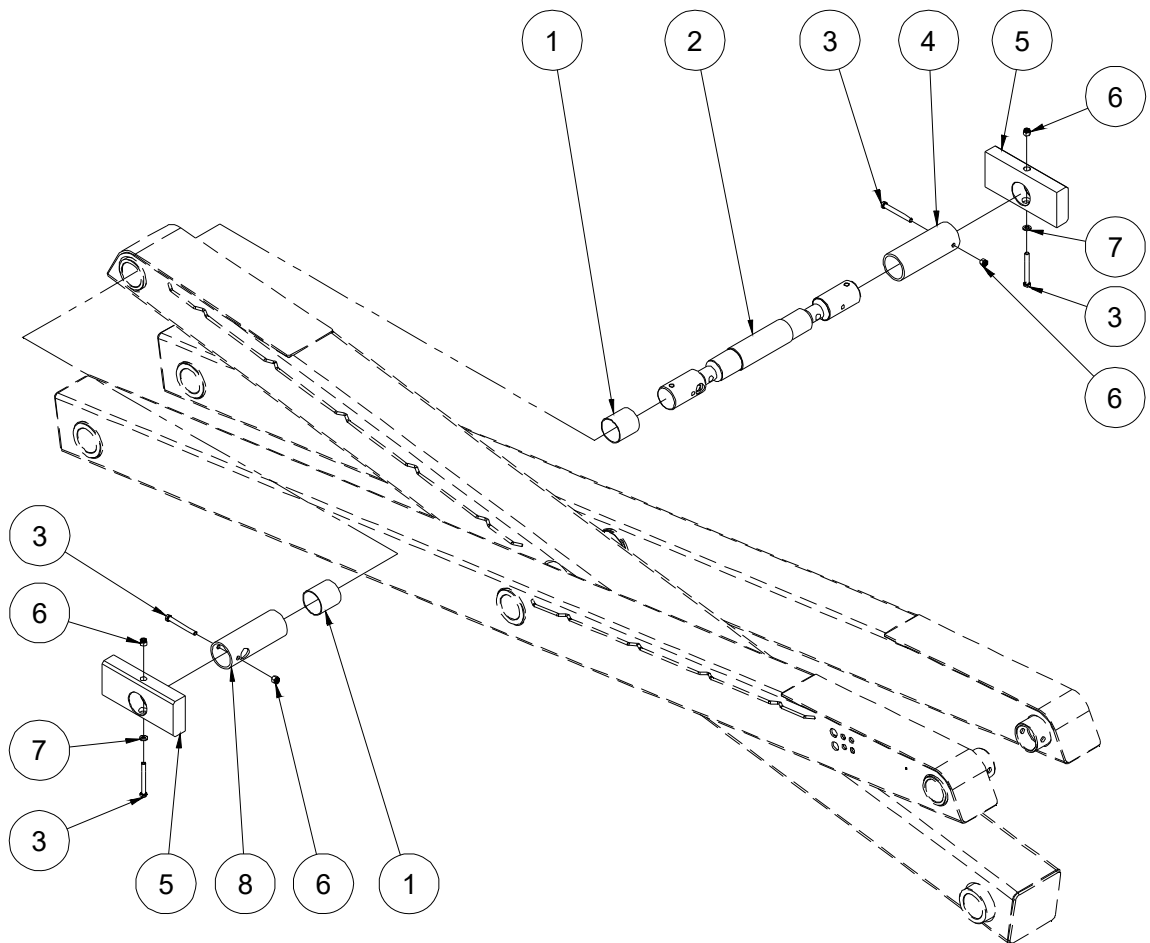
208.1 Scissor Arm pin joint G



208.1 Scissor Arm pin joint G

Item	Part No.	Description	Qty.
1	00006165	8812-404470 Bearing	2
2	10009662	Pin	2
3	10009677	Pin fixing plate	2
4	00000814	Washer GB/T 97.1 12	2
5	00000815	Washer GB/T 93 12	2
6	00002059	Bolt GB/T 5783 M12×30	2
7	00001998	Nut GB/T 6173 M22×1.5	2
8	00002550	Washer GB/T 97.1 22	2
9	00001257	Nut GB/T 6182 M16	2
10	00001109	Bolt GB/T 5782 M16×130	2
11	10009661	Pin	1

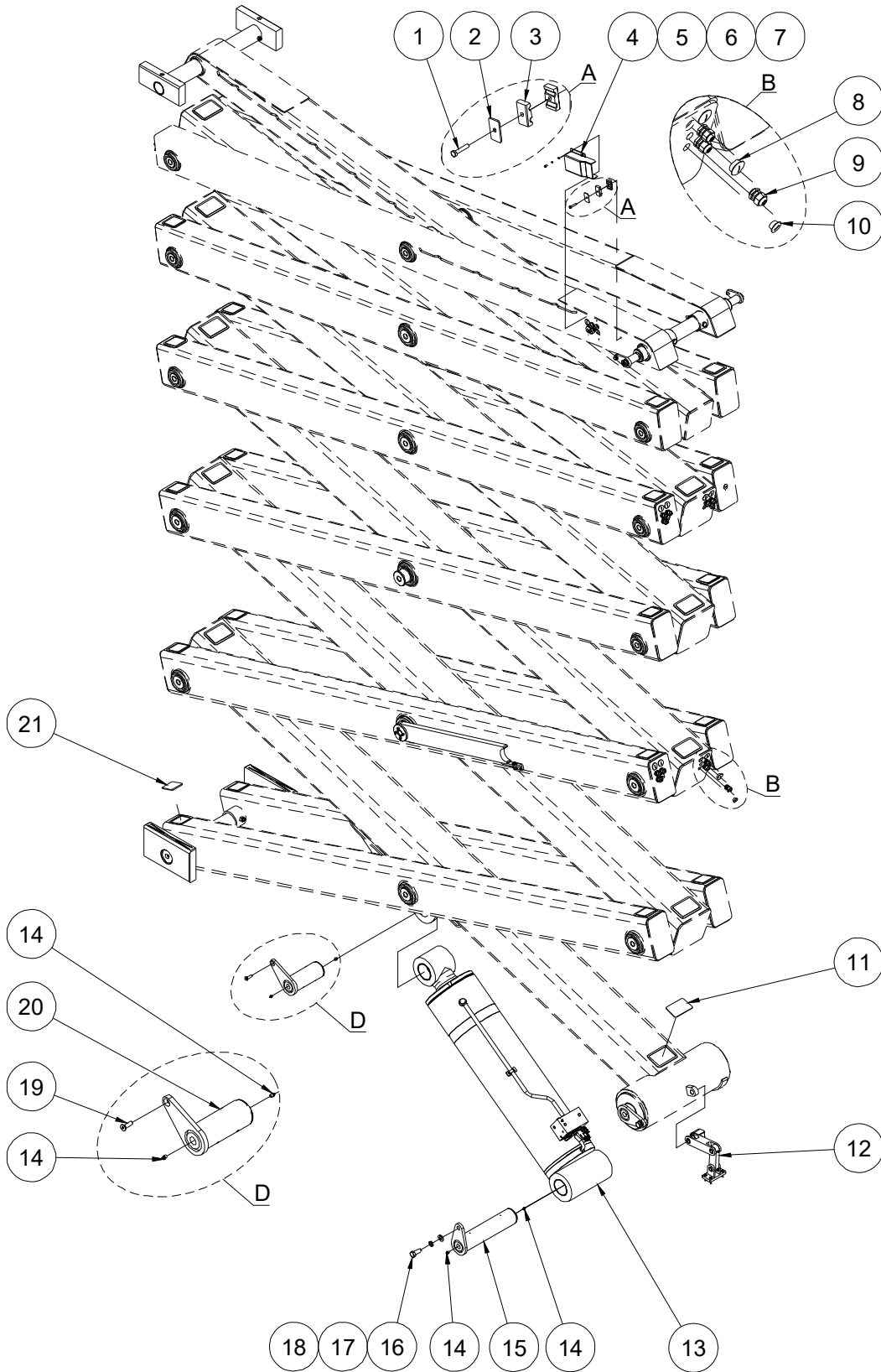
209.1 Scissor Arm pin joint H



209.1 Scissor Arm pin joint H

Item	Part No.	Description	Qty.
1	00006166	8812-758080 Bearing	2
2	10009663	Pin	1
3	00006174	Bolt GB/T 5782 M12×110	4
4	10009670	Spacer sleeve	1
5	10009664	Platform slider	2
6	00001249	Nut GB/T 6182 M12	4
7	00000814	Washer GB/T 97.1 12	2
8	10009671	Spacer sleeve	1

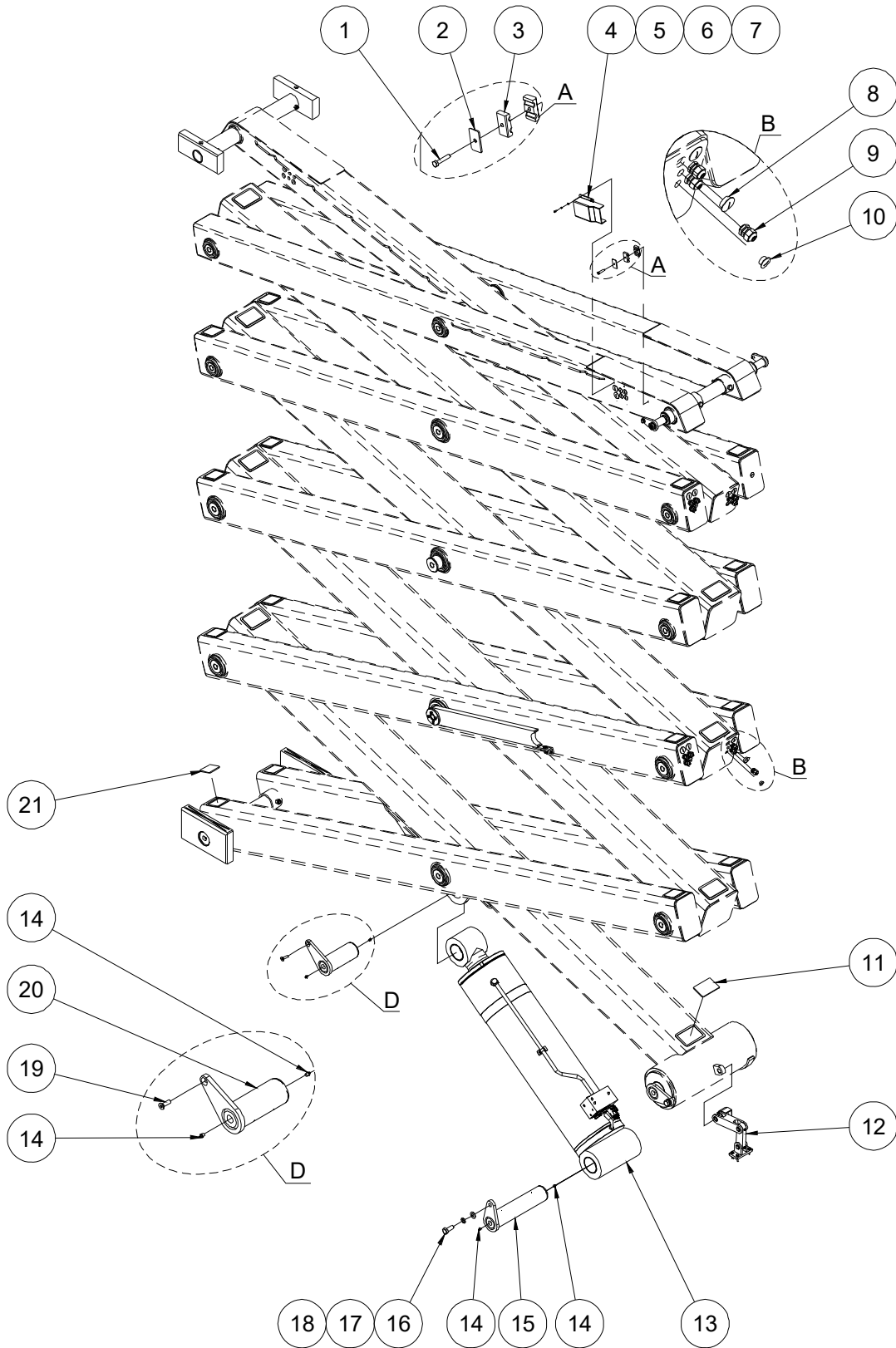
210.1 Lift cylinder and Scissor Accessory Installation (JCPT2212DC)



210.1 Lift cylinder and Scissor Accessory Installation (JCPT2212DC)

Item	Part No.	Description	Qty.
1	00002604	Bolt GB/T 5783 M8×40	1
2	10017938	Base plate	1
3	10017895	Hose clamp	2
4	10018063	Cover	1
5	00000605	Washer GB/T 97.1 5	4
6	00000606	Washer GB/T 93 5	4
7	00001252	Screw GB/T 70.1 M5×12	4
8	00006183	Cover	24
9	00006128	Water-proof joint M20×1.5	36
10	00006177	Cover	14
11	10009674	Block	10
12		Rotary sensor assembly (refer to 211.1)	1
13		Lift cylinder assembly (without seal kit) (refer to 401.1)	1
14	00004483	Grease nipple GB/T 1152 M10×1	40
15	10016401	Pin	1
16	00002224	Bolt GB/T 5783 M20×50	1
17	00002219	Washer GB/T 93 20	1
18	00001050	Washer GB/T 97.1 20	1
19	00000857	Screw GB/T 70.3 M12×40	1
20	10009370	Pin	1
21	10009673	Block	20

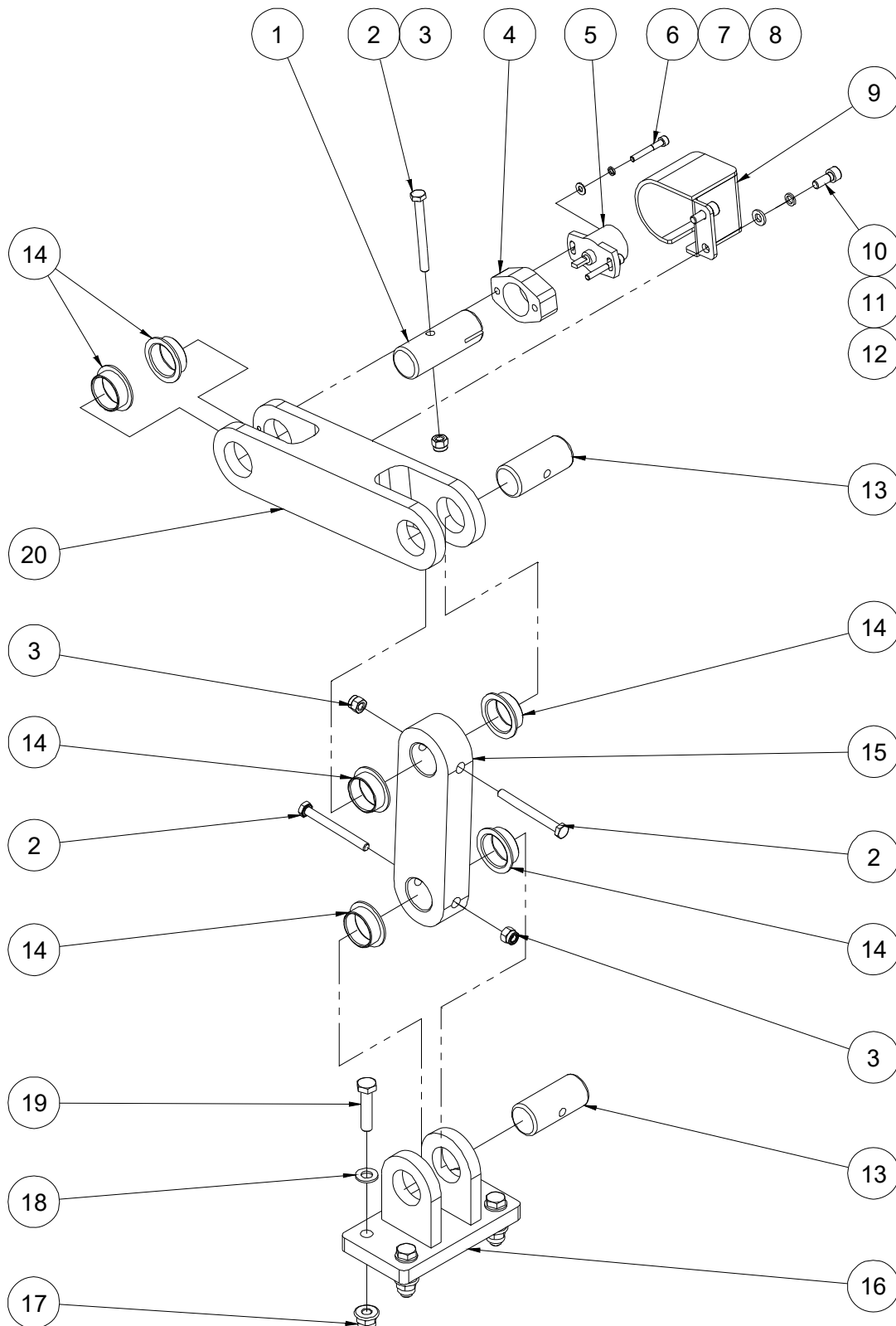
210.2 Lift cylinder and Scissor Accessory Installation (JCPT1912DC)



210.2 Lift cylinder and Scissor Accessory Installation (JCPT1912DC)

Item	Part No.	Description	Qty.
1	00002604	Bolt GB/T 5783 M8×40	1
2	10017938	Base plate	1
3	10017895	Hose clamp	2
4	10018063	Cover	1
5	00000605	Washer GB/T 97.1 5	4
6	00000606	Washer GB/T 93 5	4
7	00001252	Screw GB/T 70.1 M5×12	4
8	00006183	Cover	22
9	00006128	Water-proof joint M20×1.5	27
10	00006177	Cover	13
11	10009674	Block	8
12		Rotary sensor assembly (refer to 211.1)	1
13		Lift cylinder assembly (without seal kit) (refer to 401.1)	1
14	00004483	Grease nipple GB/T 1152 M10×1	34
15	10016401	Pin	1
16	00002224	Bolt GB/T 5783 M20×50	1
17	00002219	Washer GB/T 93 20	1
18	00001050	Washer GB/T 97.1 20	1
19	00000857	Screw GB/T 70.3 M12×40	1
20	10009370	Pin	1
21	10009673	Block	16

211.1 Rotary Sensor Assembly

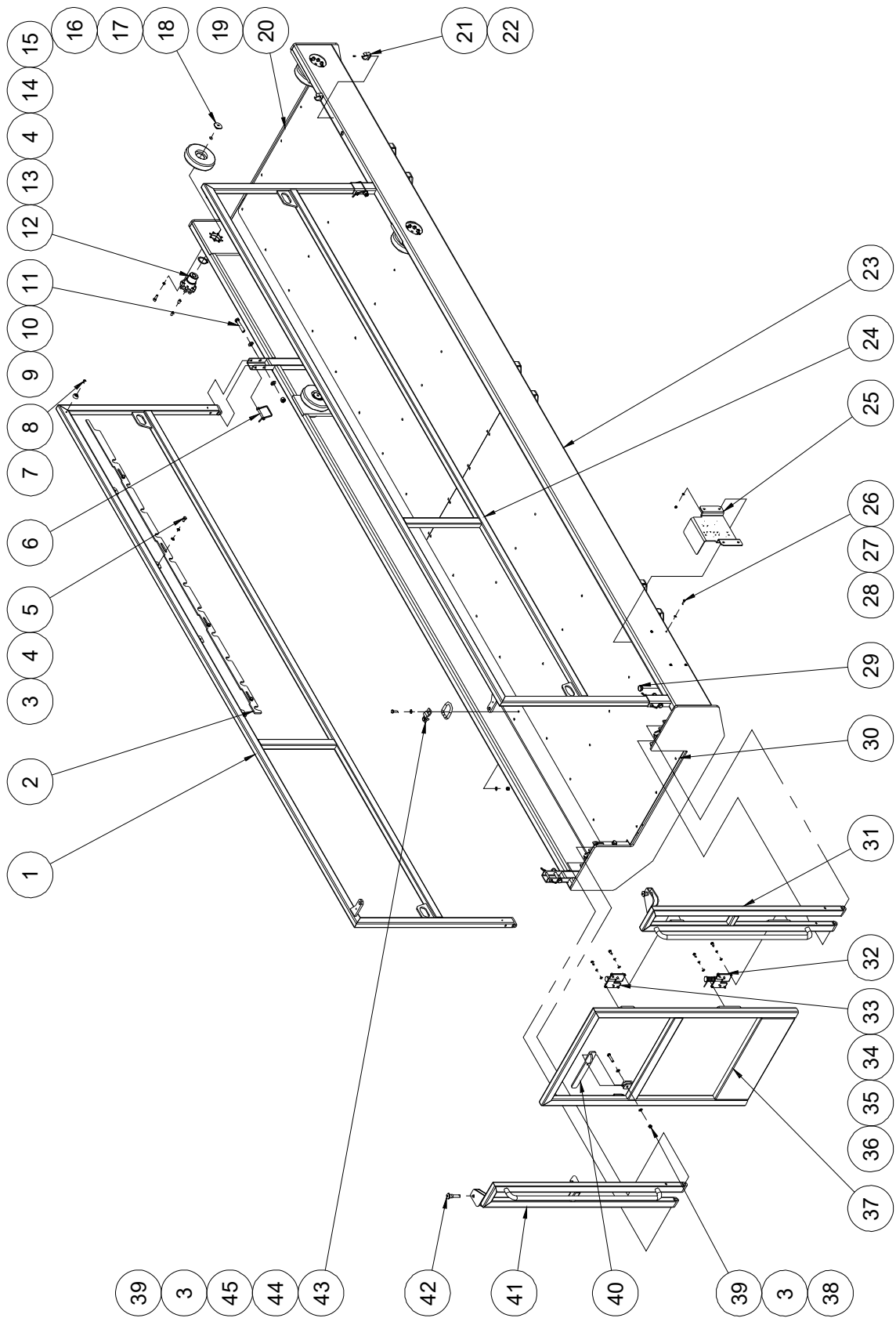


211.1 Rotary Sensor Assembly

Item	Part No.	Description	Qty.
1	10009584	Pin	1
2	00002335	Bolt GB/T 5782 M6×60	3
3	00001033	Nut GB/T 6182 M6	3
4	10001569	Sensor bracket	1
5	00000644	Rotary sensor	1
6	00002415	Screw GB/T 70.1 M4×30	2
7	00000779	Washer GB/T 93 4	2
8	00000778	Washer GB/T 97.1 4	2
9	10016634	Protect cover	1
10	00000876	Screw GB/T 70.1 M6×16	2
11	00000621	Washer GB/T 93 6	2
12	00000620	Washer GB/T 97.1 6	2
13	00006176	8942-2555 Pin	2
14	00006178	8822-2511 Bearing	6
15	10009583	Link plate	1
16	10009587	Bracket	1
17	00002575	Nut GB/T 6183.1 M8	4
18	00000608	Washer GB/T 97.1 8	4
19	00002488	Bolt GB/T 5783 M8×35	4
20	10009582	Link plate	1

Section 3 Platform

301.1 Main Platform Assembly



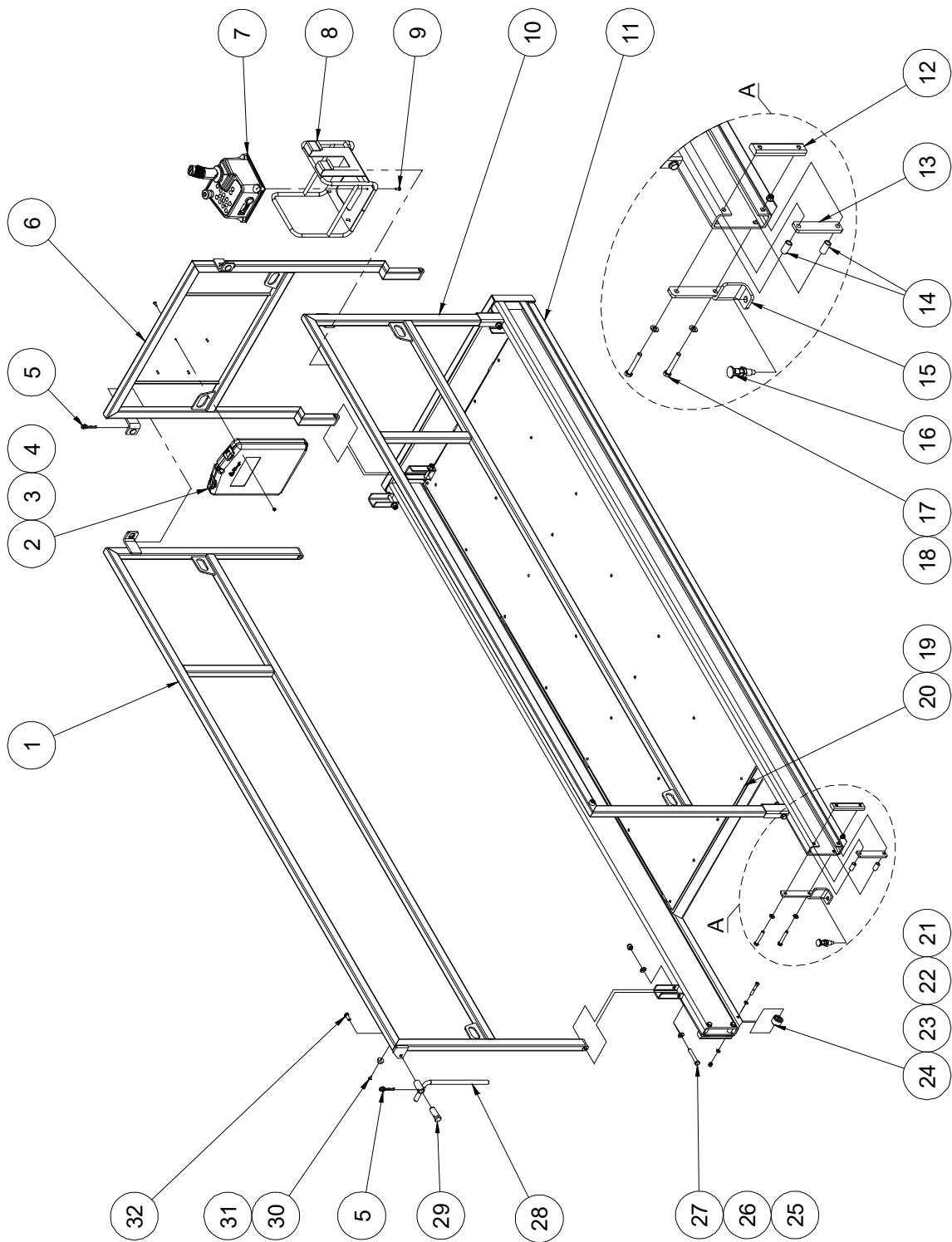
301.1 Main Platform Assembly

Item	Part No.	Description	Qty.
1	10011416	Right main rail	1
2	10011434	Limit plate	1
3	00000608	Washer GB/T 97.1 8	14
4	00000609	Washer GB/T 93 8	36
5	00001063	Bolt GB/T 5783 M8×16	4
6	10004174	Inserted pin	8
7	10000376	Bumper	2
8	00001011	Screw GB/T 973 M5×12	2
9	00001249	Nut GB/T 6182 M12	8
10	00000814	Washer GB/T 97.1 12	16
11	00004028	Bolt GB/T 5782 M12×70	8
12	10014045	Pin	4
13	00002555	Screw GB/T 70.1 M8×25	32
14	00005165	Screw GB/T 79 M10×20	8
15	00000944	Washer GB/T 894.1-40	4
16	10011328	Roller	4
17	10006579	Washer	4
18	10006578	Block	4
19	00001996	Rivet GB/T 12618.4 4.8×12	66
20	10011433	Main platform deck plate	1
21	00001823	Clip 24	2
22	00004385	Screw GB/T 823 M4×8	2
23	10011392	Main deck weldment	1
24	10011410	Left main rail	1
25	10014463	Circuit breaker bracket	1
26	00002268	Bolt GB/T 5783 M5×20	4
27	00000605	Washer GB/T 97.1 5	8
28	00000613	Nut GB/T 6182 M5	4
29	10024234	Hole plug	1

301.1 Main Platform Assembly

Item	Part No.	Description	Qty.
30	10011432	Main platform deck plate	1
31	10011418	Rear rail 1	1
32	10000302	Hinge B	1
33	10000299	Hinge A	1
34	00000818	Bolt GB/T 5783 M6×16	12
35	00000621	Washer GB/T 93 6	12
36	00000620	Washer GB/T 97.1 6	12
37	10011427	Entry gate	1
38	00002604	Bolt GB/T 5783 M8×40	1
39	00001163	Nut GB/T 6182 M8	5
40	10011325	Latch handle	1
44	10011425	Rear rail 2	1
42	10012192	Inserted pin	2
43	10018899	Ring bracket	2
44	10018898	Ring	2
45	00000993	Bolt GB/T 5783 M8×25	4

302.1 Platform Extension Assembly



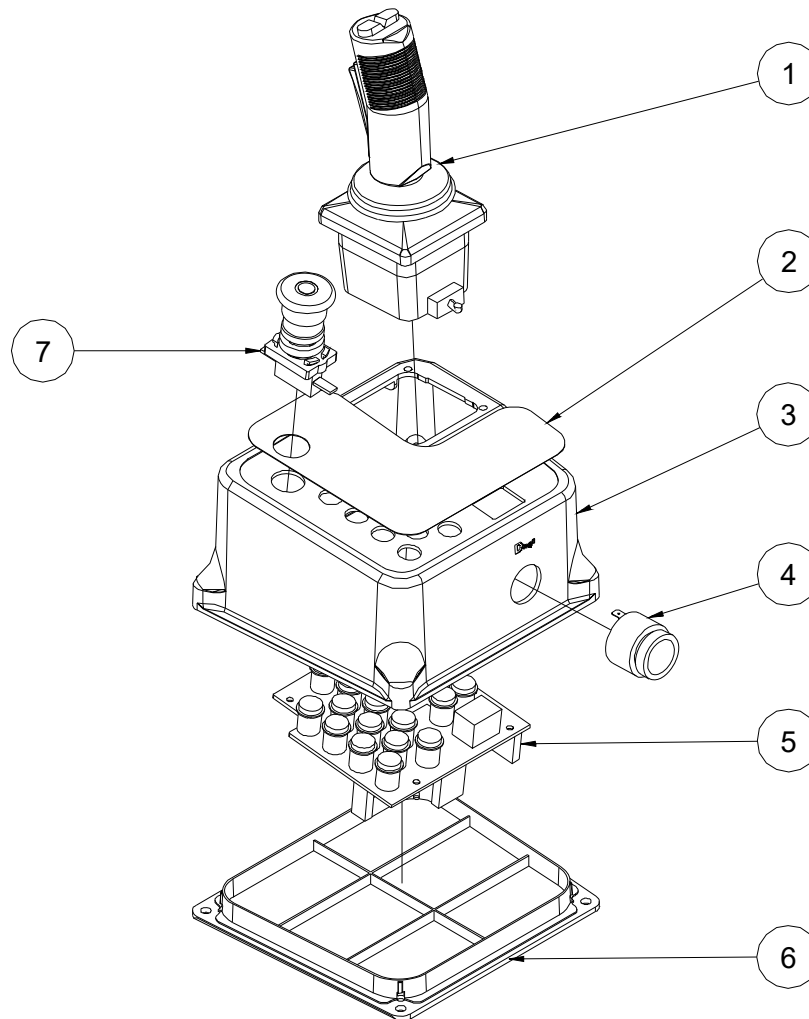
302.1 Platform Extension Assembly

Item	Part No.	Description	Qty.
1	10011455	Left extension rail	1
2	50000555	Manual box	1
3	00002523	Screw GB/T 973 M5×16	4
4	00002573	Nut GB/T 6183.1 M5	4
5	10011337	Cotter pin	3
6	10011458	Front rail	1
7		Platform control box assembly (refer to 303.1)	1
8	10011382	Platform control box mount bracket	1
	10017028	Platform control box mount bracket (with cover)	1
9	00001986	Screw GB/T 818 M6×16 - H	4
10	10011451	Right extension rail	1
11	10017943	Extension deck weldment	1
12	10012191	Baffle plate	2
13	10011377	Baffle plate	2
14	10011378	Spacer sleeve	4
15	10013529	Limit plate	1
16	10000396	Lock pin	1
17	00005257	Bolt GB/T 5782 M10×65	4
18	00000615	Washer GB/T 97.1 10	4
19	00001996	Rivet GB/T 12618.4 4.8×12	32
20	10017939	Platform extension deck plate	1
21	00001163	Nut GB/T 6182 M8	2
22	00000608	Washer GB/T 97.1 8	4
23	00003136	Screw GB/T 70.1 M8×55	2
24	10011275	Roller	2
25	00001249	Nut GB/T 6182 M12	6
26	00000814	Washer GB/T 97.1 12	12
27	00004028	Bolt GB/T 5782 M12×70	6
28	10011470	Lock handle weldment	1

302.1 Platform Extension Assembly

Item	Part No.	Description	Qty.
29	10011469	Pin	1
30	00001011	Screw GB/T 973 M5×12	2
31	10000376	Bumper	2
32	00000678	Bolt GB/T 5783 M10×25	1

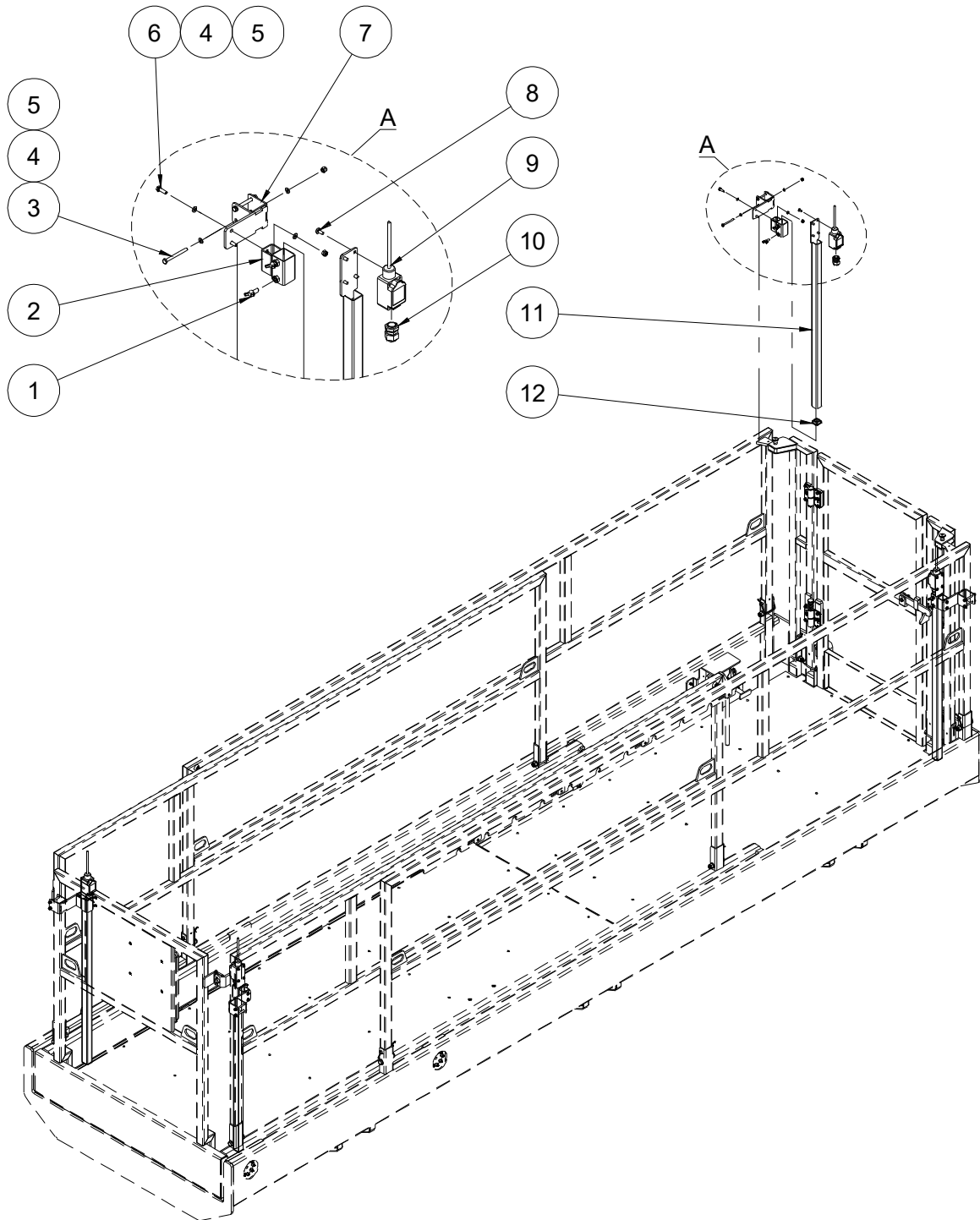
303.1 Platform Control Box Assembly



303.1 Platform Control Box Assembly

Item	Part No.	Description	Qty.
1	00004358	Joystick	1
2	09140047	Decal, Platform control panel	1
3	00004356	Enclosure	1
4	00000712	Alarm	1
5	00004357	Main board	1
6	00004355	Cover bottom	1
7	00000713	Emergency stop switch	1

304.1 Protective Device Assembly (Option)

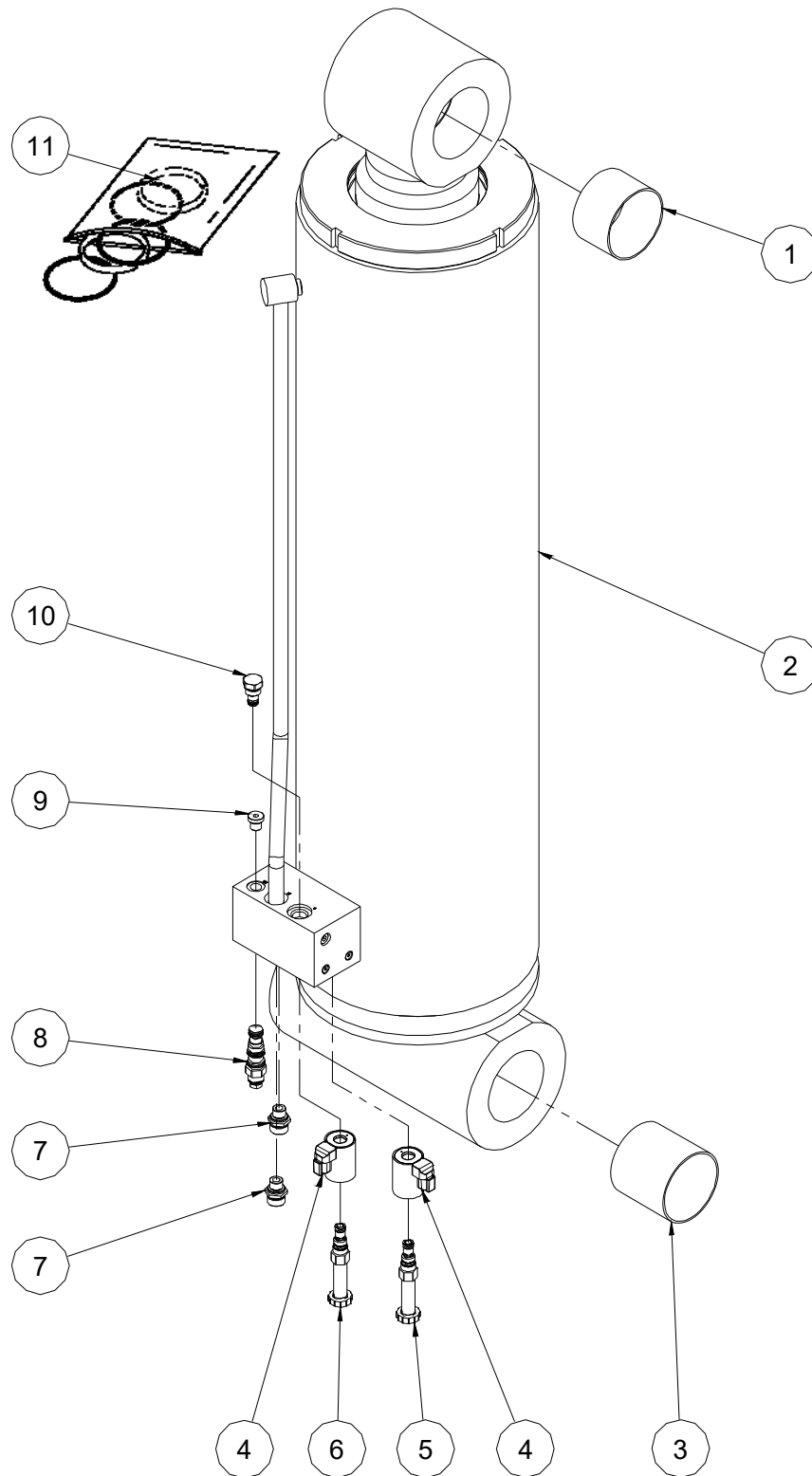


304.1 Protective Device Assembly (Option)

Item	Part No.	Description	Qty.
1	00002586	Screw M8×16	8
2	10021160	Bracket	4
3	00002335	Bolt GB/T 5782 M6×60	8
4	00000620	Washer GB/T 97.1 6	32
5	00001033	Nut GB/T 6182 M6	16
6	00000743	Bolt GB/T 5783 M6×20	8
7	10020975	Bracket	4
8	00001060	Screw GB/T 818 M6×12 - H	16
9	00002606	Limit switch	4
10	00005080	Water-proof joint M20	4
11	10001704	Switch rod	4
12	10003413	Plug	4

Section 4 Hydraulic System

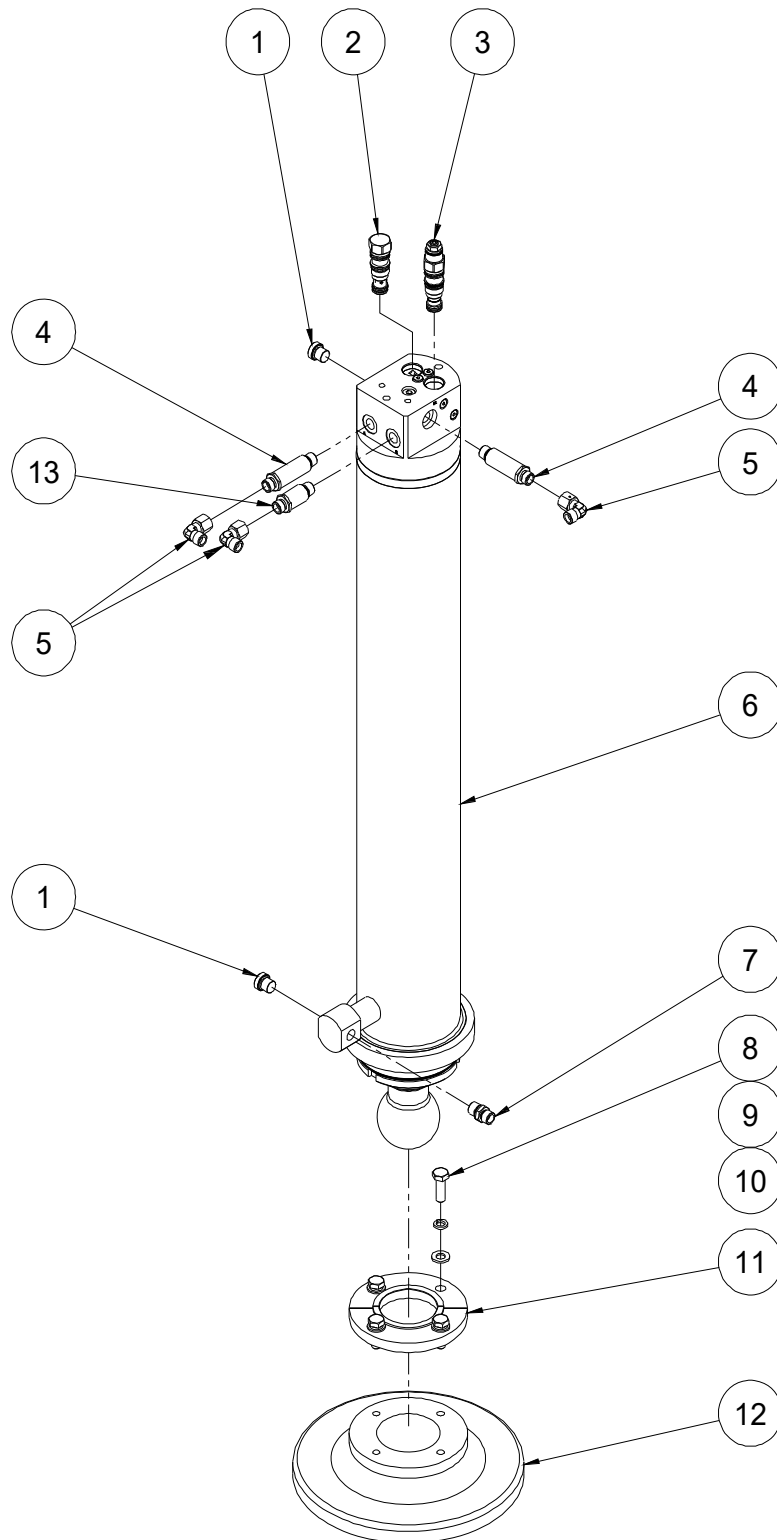
401.1 Lift Cylinder Assembly



401.1 Lift Cylinder Assembly

Item	Part No.	Description	Qty.
1	00006149	8812-909560A Bearing	2
2	10011850	Lift cylinder	1
3	00006140	8812-909590A Bearing	2
4	00004592	Coil	2
5	00004591	Solenoid valve spool	1
6	00006453	Proportional valve	1
7	00001265	Straight fitting	2
8	00004587	Counterbalance valve spool	1
9	00001073	Plug VST114×1.5ED	1
10	10000404	Check valve	1
11	00006506	Seal kit	1

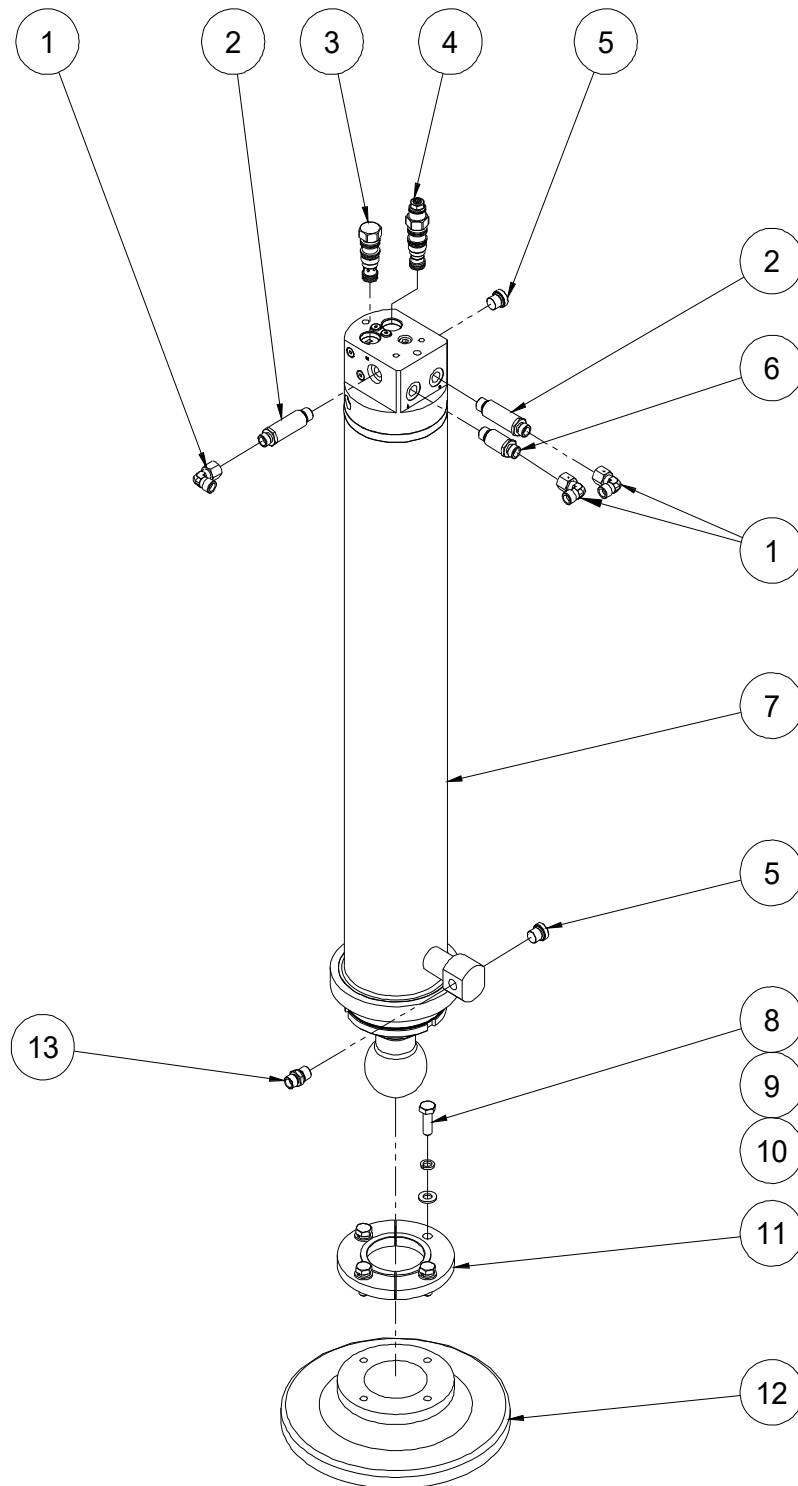
402.1 Left Outrigger Cylinder Assembly



402.1 Left Outrigger Cylinder Assembly

Item	Part No.	Description	Qty.
1	00001073	Plug VST114×1.5ED	2
2	00009693	Pilot-operated check valve (CK1, CK2, CK3, CK4)	1
3	00009755	Counterbalance valve spool (CB1, CB2, CB3, CB4)	1
4	00009827	Straight fitting	2
5	00001832	Elbow	3
6	10022650	Outrigger cylinder	1
--	00009694	Seal kit	1
6	10025173	Outrigger cylinder	1
--	00010865	Seal kit	1
7	00001282	Straight fitting	1
8	00000683	Bolt GB/T 5783 M10×30	4
9	00000679	Washer GB/T 93 10	4
10	00000615	Washer GB/T 97.1 10	4
11	10011095	Retainer	1
12	10011094	Outrigger footpad	1
13	00003758	Elbow	1

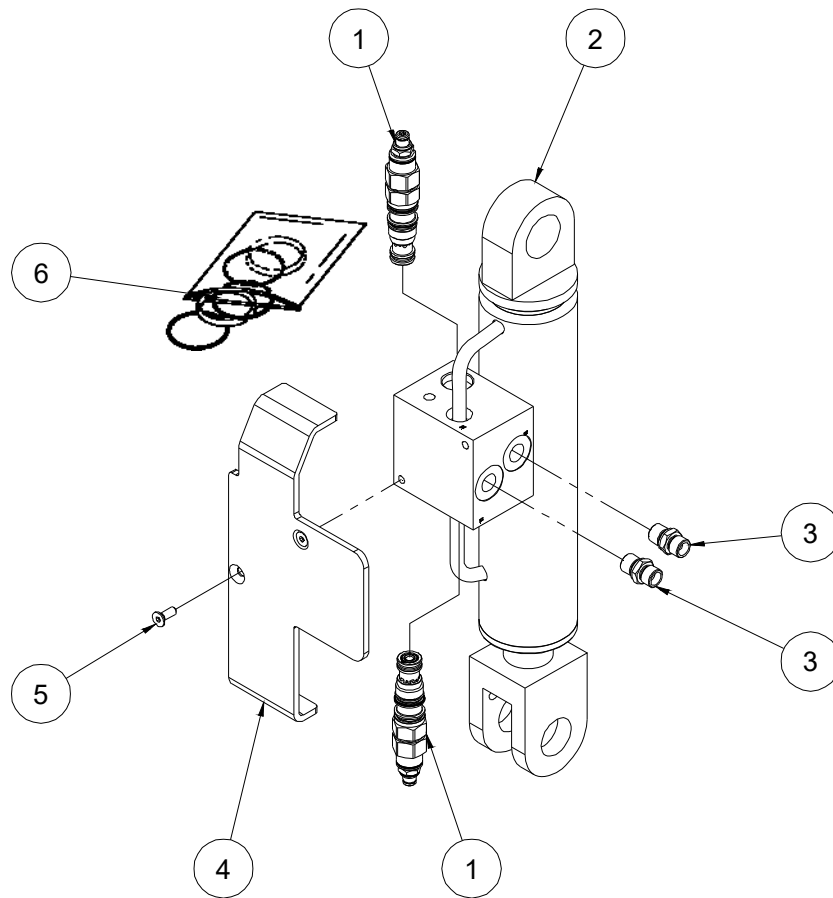
403.1 Right Outrigger Cylinder Assembly



403.1 Right Outrigger Cylinder Assembly

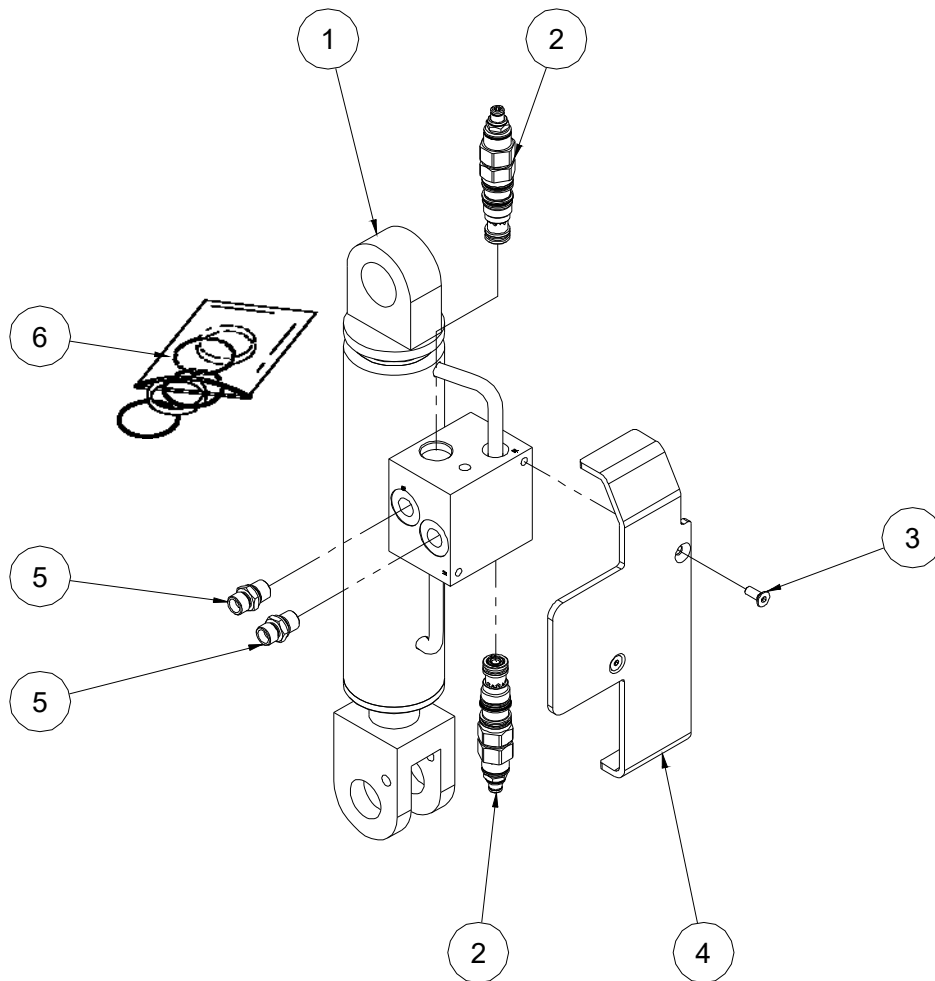
Item	Part No.	Description	Qty.
1	00001832	Elbow	3
2	00009827	Straight fitting	2
3	00009693	Pilot-operated check valve (CK1, CK2, CK3, CK4)	1
4	00009755	Counterbalance valve spool (CB1, CB2, CB3, CB4)	1
5	00001073	Plug VST114×1.5ED	2
6	00003758	Straight fitting	2
7	10022650	Outrigger cylinder	1
--	00009694	Seal kit	1
7	10025173	Outrigger cylinder	1
--	00010865	Seal kit	1
8	00000683	Bolt GB/T 5783 M10×30	4
9	00000679	Washer GB/T 93 10	4
10	00000615	Washer GB/T 97.1 10	4
11	10011095	Retainer	1
12	10011094	Outrigger footpad	1
13	00001282	Straight fitting	1

404.1 Left Pothole Protection Cylinder Assembly



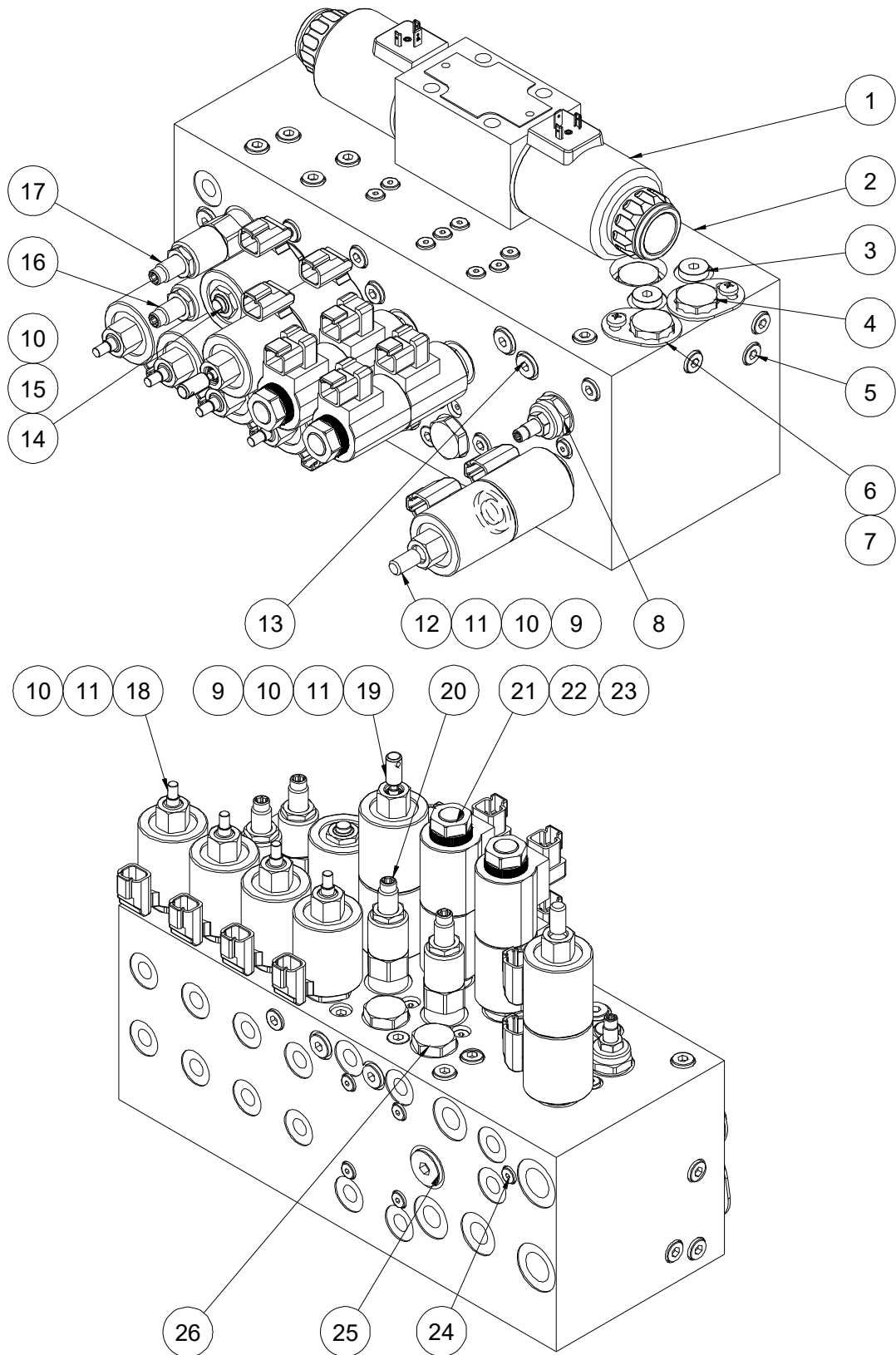
404.1 Left Pothole Protection Cylinder Assembly

Item	Part No.	Description	Qty.
1	00003373	Counterbalance valve spool	2
2	10011501	Left pothole protection cylinder	1
3	00001282	Straight fitting	2
4	10011572	Protect cover	1
5	00000830	Screw GB/T 70.3 M6×16	2
6	00000280	Seal kit	1

405.1 Right Pothole Protection Cylinder Assembly**405.1 Right Pothole Protection Cylinder Assembly**

Item	Part No.	Description	Qty.
1	10011586	Right pothole protection cylinder	1
2	00003373	Counterbalance valve spool	2
3	00000830	Screw GB/T 70.3 M6×16	2
4	10011573	Protect cover	1
5	00001282	Straight fitting	2
6	00000280	Seal kit	1

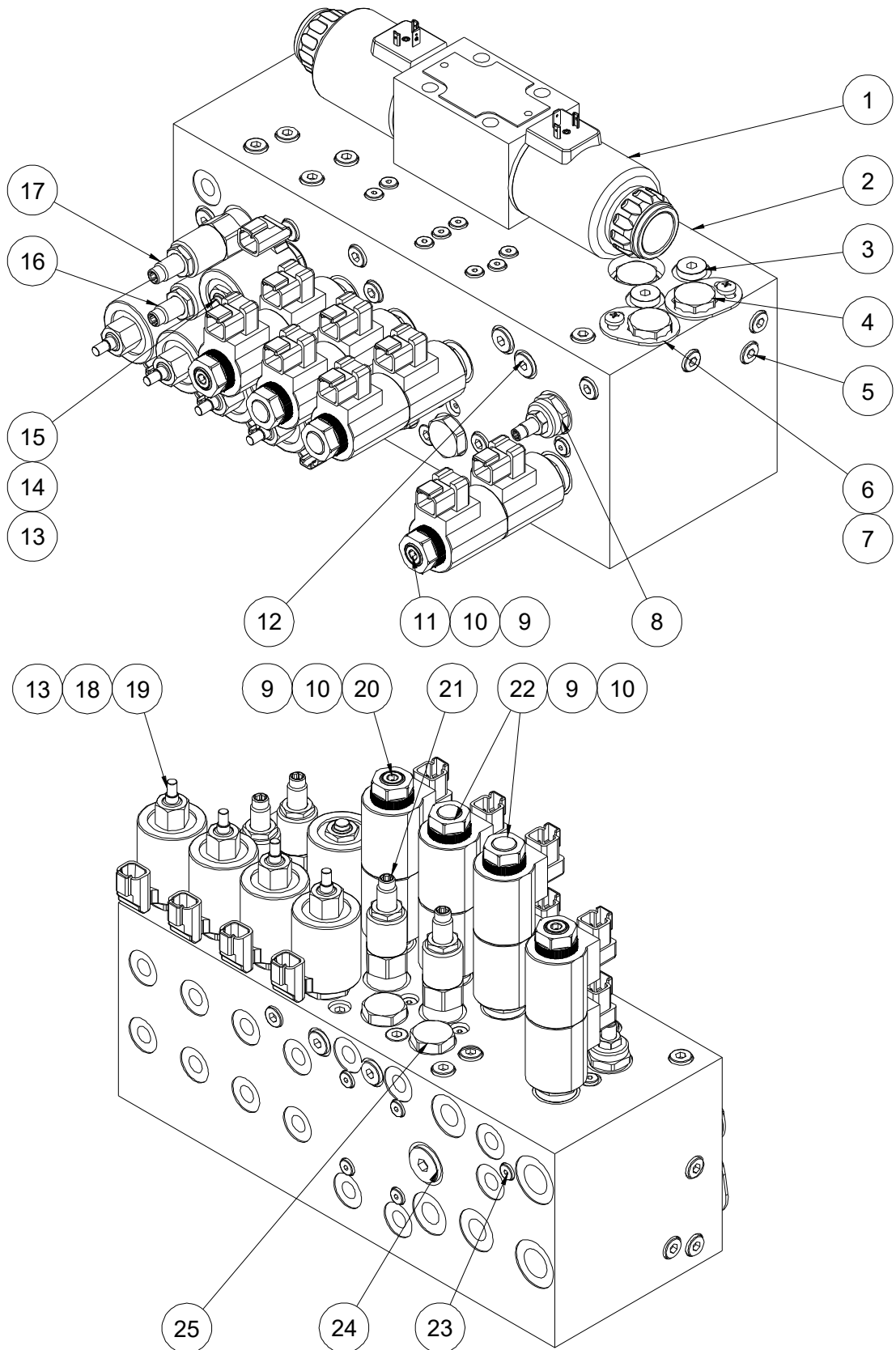
406.1 Function Manifold



406.1 Function Manifold

Item	Part No.	Description	Qty.
1	00007241	Solenoid valve (SV6)	1
2	00007232	Valve body	1
3	00001073	Plug VST114×1.5ED	2
4	00008783	Check valve (CV1, CV2, CV3)	3
5	00002998	Plug SAE4	24
6	00008822	Lock sheet	2
7	00008823	Screw GB/T 818 M6×8-H	2
8	00007158	Flow control valve (FC1)	1
9	00006735	Washer	2
10	00006733	Coil	9
11	00004371	Nut	6
12	00007242	Solenoid valve spool (SV7)	1
13	00003361	Plug SAE6	7
14	00007239	Solenoid valve spool (SV10)	1
15	00003017	Nut	1
16	00007240	Relief valve (RV4)	1
17	00007149	Relief valve (RV1)	1
18	00007148	Solenoid valve spool (SV2, SV3, SV4, SV5)	4
	00009652	Solenoid valve spool (SV2, SV3, SV4, SV5)	4
19	00007147	Solenoid valve spool (SV1)	1
20	00007144	Relief valve (RV2, RV3)	2
21	00004307	Proportional valve (SV8, SV9)	2
22	00003319	Coil	4
23	00003353	Nut	2
24	00002999	Plug SAE2	19
25	00004332	Plug SAE10	1
26	00007143	Pilot-operated check valve (POC1, POC2, POC3, POC4)	4

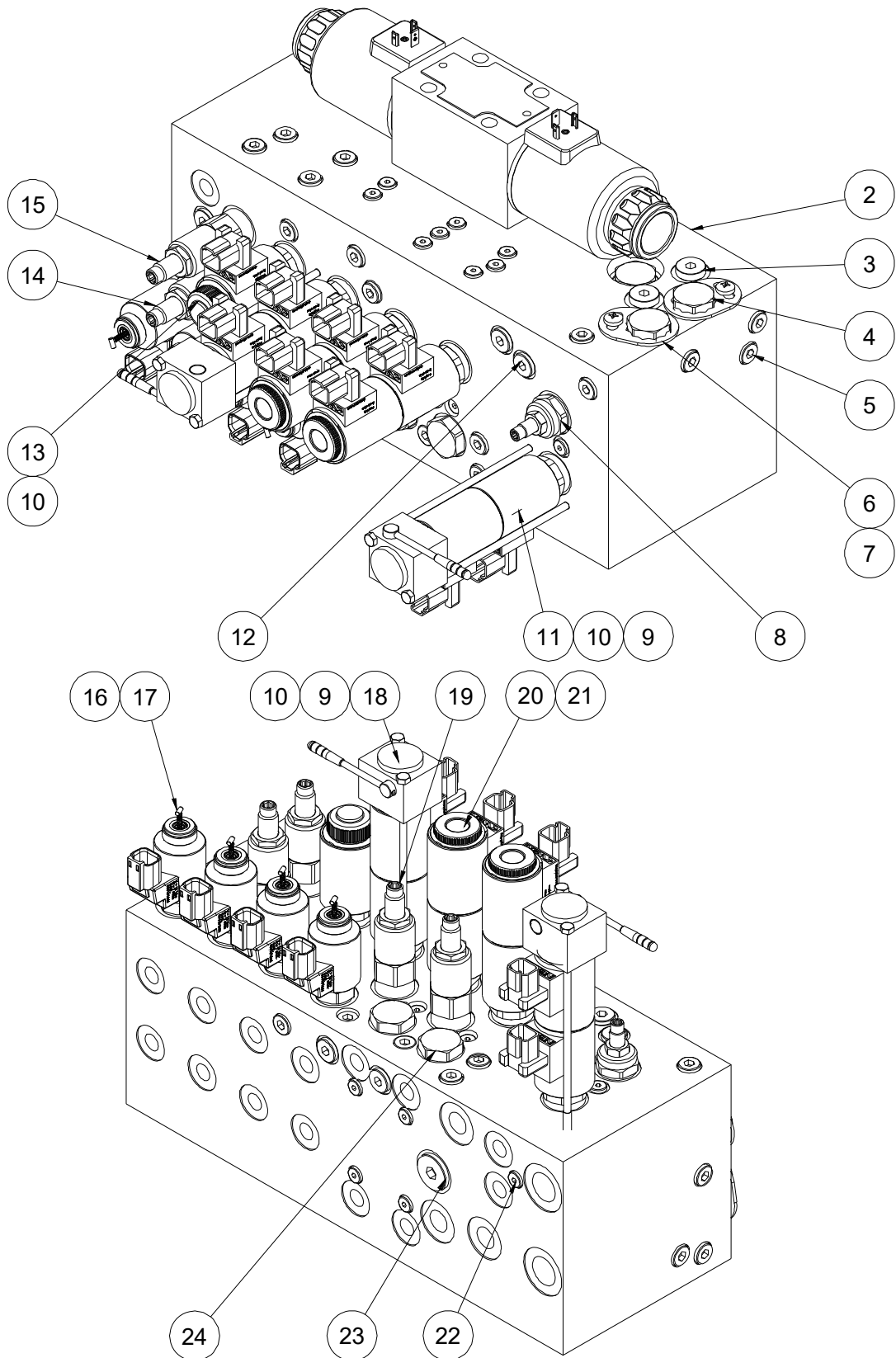
406.2 Function Manifold



406.2 Function Manifold

Item	Part No.	Description	Qty.
1	00007241	Solenoid valve (SV6)	1
2	00007232	Valve body	1
3	00001073	Plug VST114×1.5ED	2
4	00008783	Check valve (CV1, CV2, CV3)	3
5	00002998	Plug SAE4	24
6	00008822	Lock sheet	2
7	00008823	Screw GB/T 818 M6×8-H	2
8	00007158	Flow control valve (FC1)	1
9	00003319	Coil	8
10	00003353	Nut	4
11	00003679	Solenoid valve spool (SV7)	1
12	00003361	Plug SAE6	7
13	00006733	Coil	5
14	00003017	Nut	1
15	00007239	Solenoid valve spool (SV10)	1
16	00007240	Relief valve (RV4)	1
17	00007149	Relief valve (RV1)	1
18	00004371	Nut	4
19	00007148	Solenoid valve spool (SV2, SV3, SV4, SV5)	4
	00009652	Solenoid valve spool (SV2, SV3, SV4, SV5)	4
20	00003303	Solenoid valve spool (SV1)	1
21	00007144	Relief valve (RV2, RV3)	2
22	00004307	Proportional valve (SV8, SV9)	2
23	00002999	Plug SAE2	19
24	00004332	Plug SAE10	1
25	00007143	Pilot-operated check valve (POC1, POC2, POC3, POC4)	4

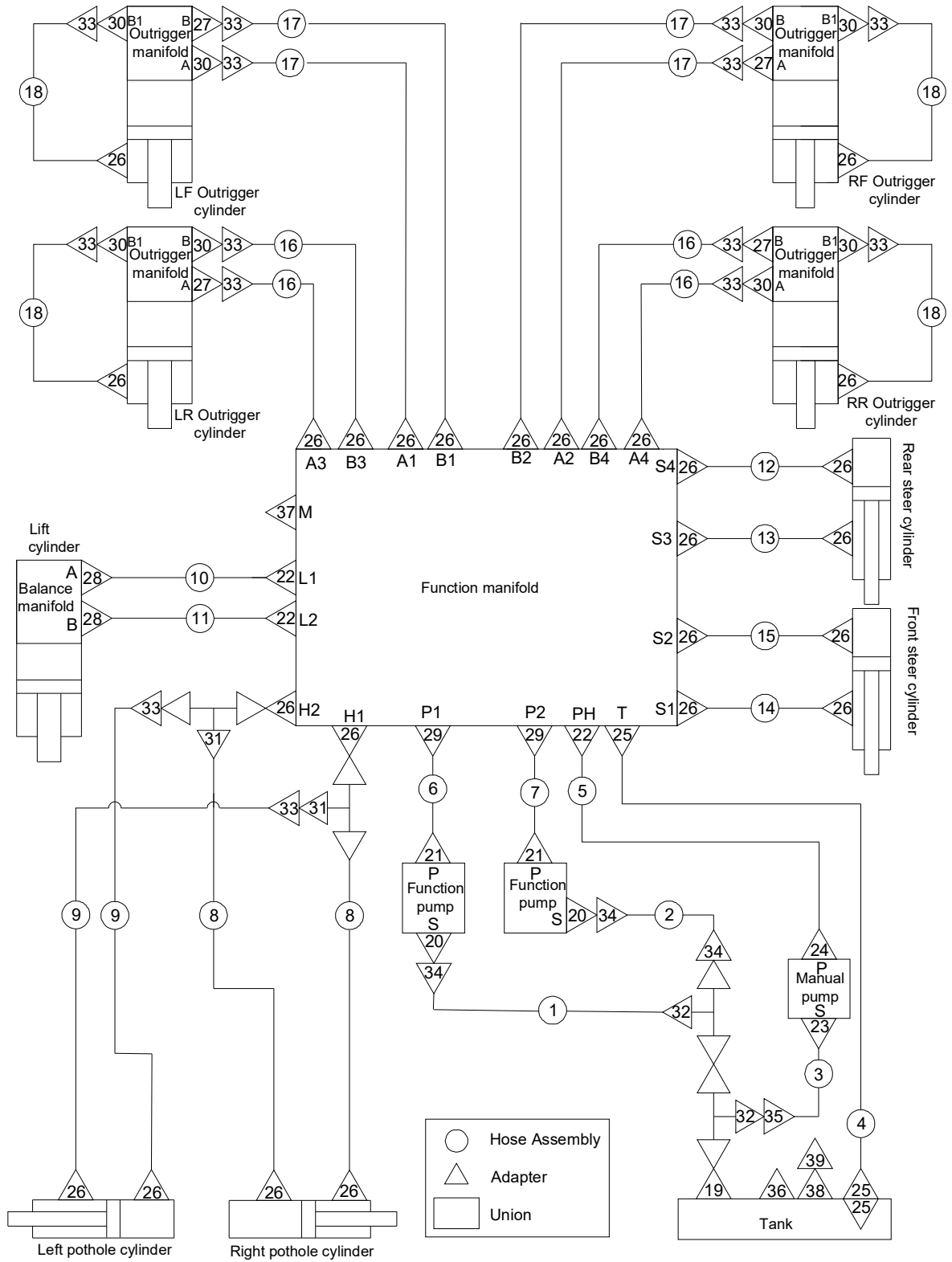
406.3 Function Manifold



406.3 Function Manifold

Item	Part No.	Description	Qty.
1	00007241	Solenoid valve (SV6)	1
2	00007232	Valve body	1
3	00001073	Plug VSTI14×1.5ED	2
4	00009541	Check valve (CV1, CV2, CV3)	3
5	00002998	Plug SAE4	24
6	00008822	Lock sheet	2
7	00008823	Screw GB/T 818 M6×8-H	2
8	00009546	Flow control valve (FC1)	1
9	00009526	Handle	2
10	00009528	Coil	5
11	00009542	Solenoid valve spool (SV7)	1
12	00003361	Plug SAE6	7
13	00009531	Solenoid valve spool (SV10)	1
14	00007240	Relief valve (RV4)	1
15	00007149	Relief valve (RV1)	1
16	00009527	Coil	4
17	00009530	Solenoid valve spool (SV2, SV3, SV4, SV5)	4
18	00009529	Solenoid valve spool (SV1)	1
19	00007144	Relief valve (RV2, RV3)	2
20	00009544	Proportional valve (SV8, SV9)	2
21	00009545	Coil	4
22	00002999	Plug SAE2	19
23	00004332	Plug SAE10	1
24	00007143	Pilot-operated check valve (POC1, POC2, POC3, POC4)	4

407.1 Hydraulic Hoses and Fittings



407.1 Hydraulic Hoses and Fittings

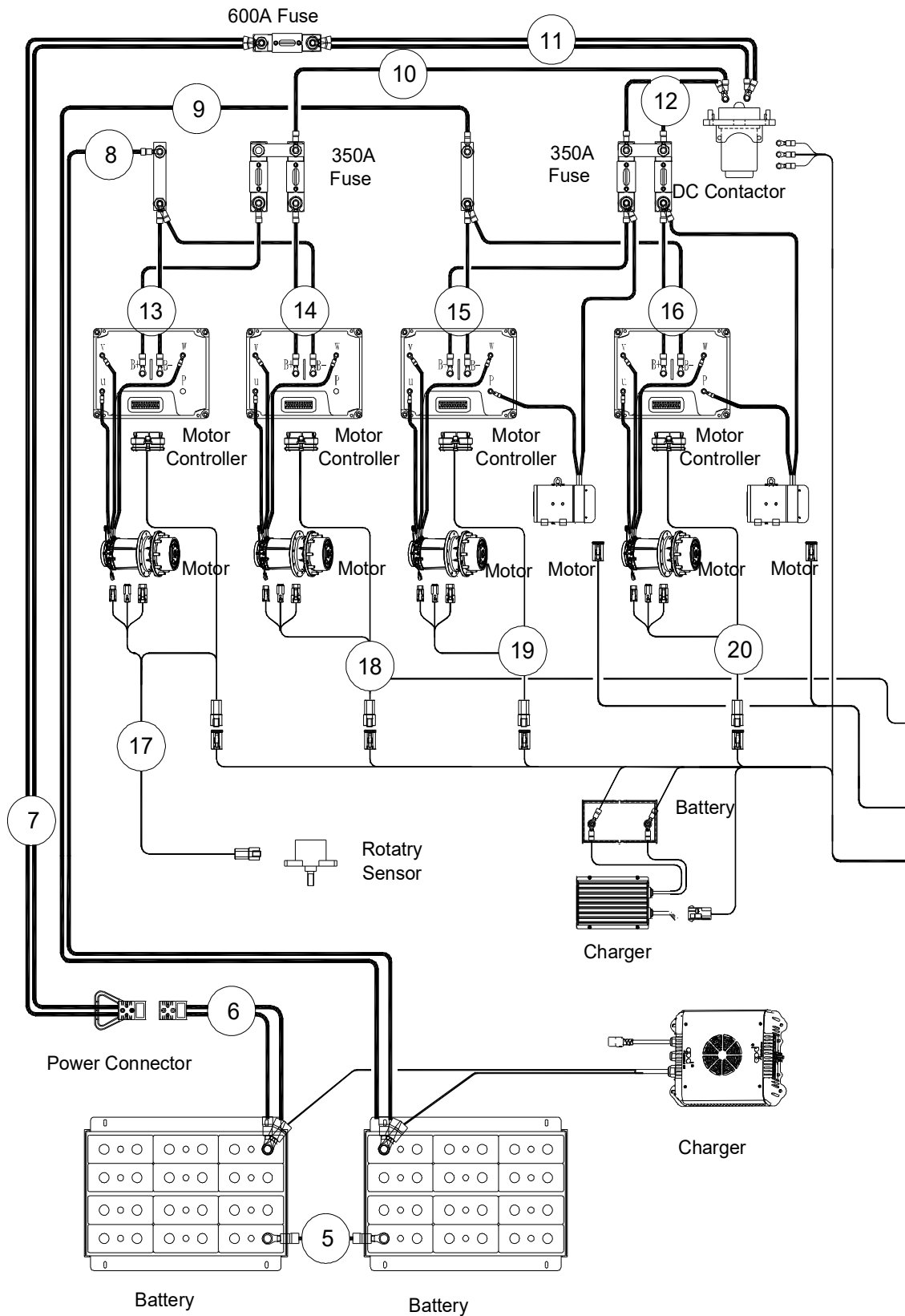
Item	Part No.	Description	Qty.
1	00007049	Hose assembly	1
2	00007250	Hose assembly	1
3	00006335	Hose assembly	1
4	00007051	Hose assembly	2
5	00007052	Hose assembly	2
6	00007248	Hose assembly	1
7	00007249	Hose assembly	1
8	00007055	Hose assembly	1
9	00003641	Hose assembly	1
10	00007056	Hose assembly	1
11	00007057	Hose assembly	1
12	00002289	Hose assembly	4
13	00007058	Hose assembly	4
14	00007059	Hose assembly	4
15	00007060	Hose assembly	1
16	00007061	Hose assembly	1
17	00007062	Hose assembly	1
18	00006388	Hose assembly	2
19	00001272	Straight fitting	1
20	00001512	Straight fitting	2
21	00001748	Straight fitting	2
22	00001264	Straight fitting	3
23	00001506	Straight fitting	1
24	00001507	Straight fitting	1
25	00002071	Straight fitting	3
26	00001282	Straight fitting	26
27	00003758	Straight fitting	4
28	00001265	Straight fitting	2
29	00003696	Straight fitting	2

407.1 Hydraulic Hoses and Fittings

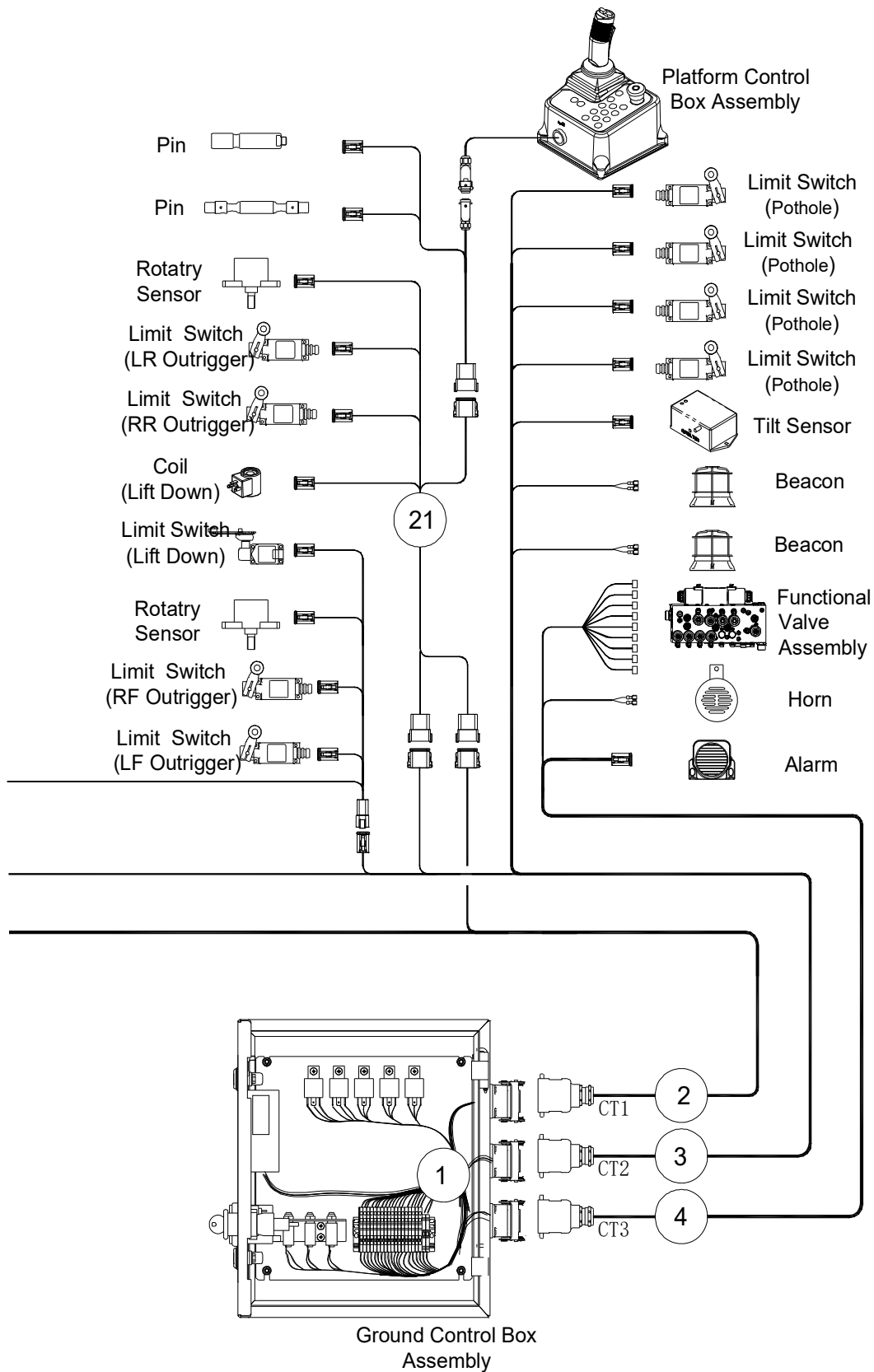
Item	Part No.	Description	Qty.
30	00009827	Straight fitting	8
31	00001237	Tee fitting	2
32	00001241	Tee fitting	2
33	00001832	Elbow	14
34	00001836	Elbow	3
35	00005691	Straight fitting	1
36	00001076	Plug VSTI20×1.5ED	1
37	00001073	Plug VSTI14×1.5ED	1
38	50000523	Washer	1
39	50000197	G3/4 Plug	1

Section 5 Electrical System

501.1 Electrical Harness



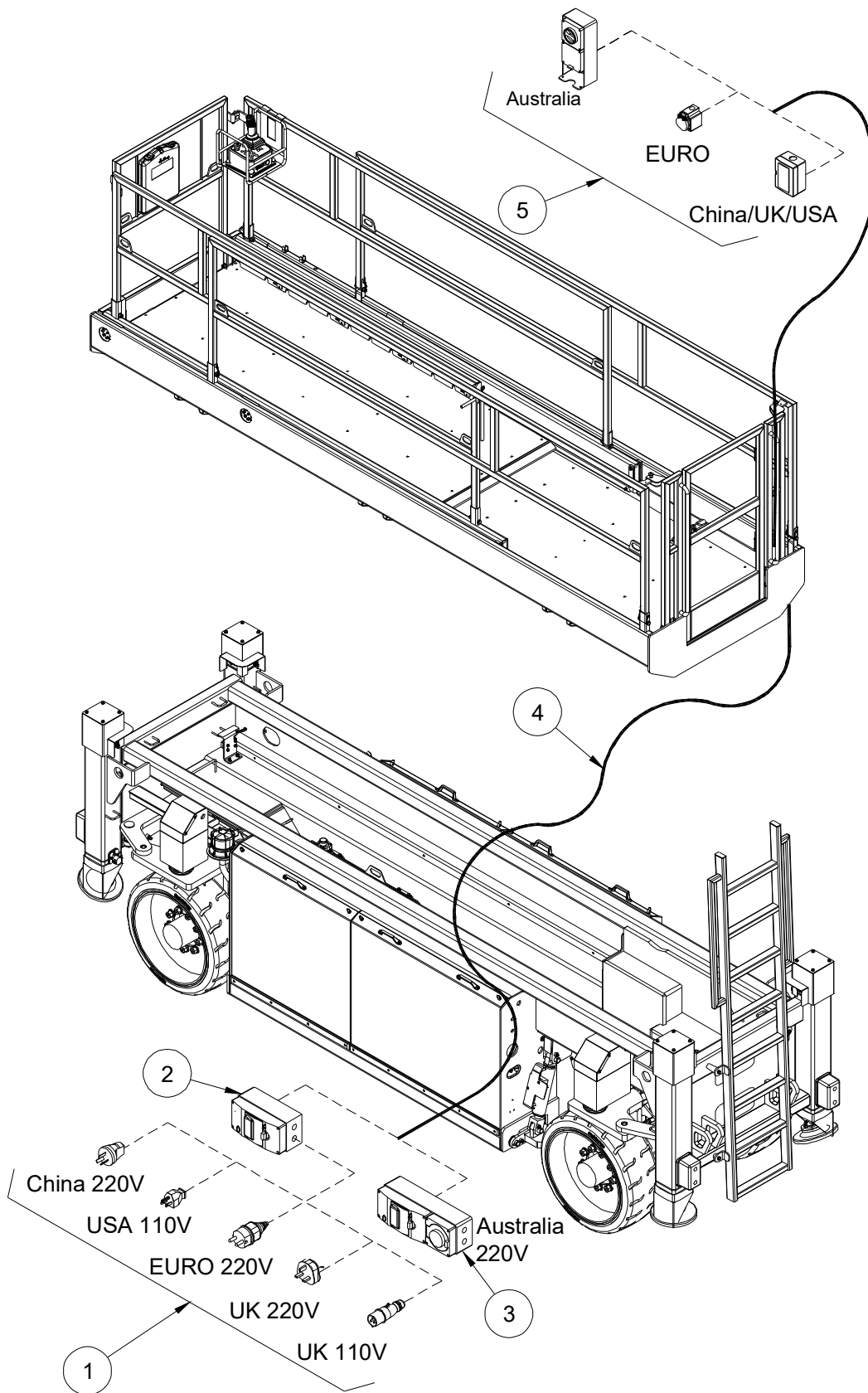
501.1 Electrical Harness



501.1 Electrical Harness

Item	Part No.	Description	Qty.
1	00007096	Ground control box harness	1
2	00007097	CT1 harness	1
3	00007098	CT2 harness	1
4	00007099	CT3 harness	1
5	00007228	Battery harness	1
6	00007105	Battery positive harness 1	1
7	00007106	Battery positive harness 2	1
8	00007227	Battery negative harness 2	1
9	00007226	Battery negative harness 1	1
10	00007108	Fuse harness 1	1
11	00007107	DC Contactor harness	1
12	00007109	Fuse harness 2	1
13	00007222	Motor controller harness 1	1
14	00007223	Motor controller harness 2	1
15	00007224	Motor controller harness 3	1
16	00007225	Motor controller harness 4	1
17	00007101	Drive motor harness 2	1
18	00007100	Drive motor harness 1	1
19	00007103	Drive motor harness 4	1
20	00007102	Drive motor harness 3	1
21	00007104	Rear function harness	1

502.1 Power to Platform

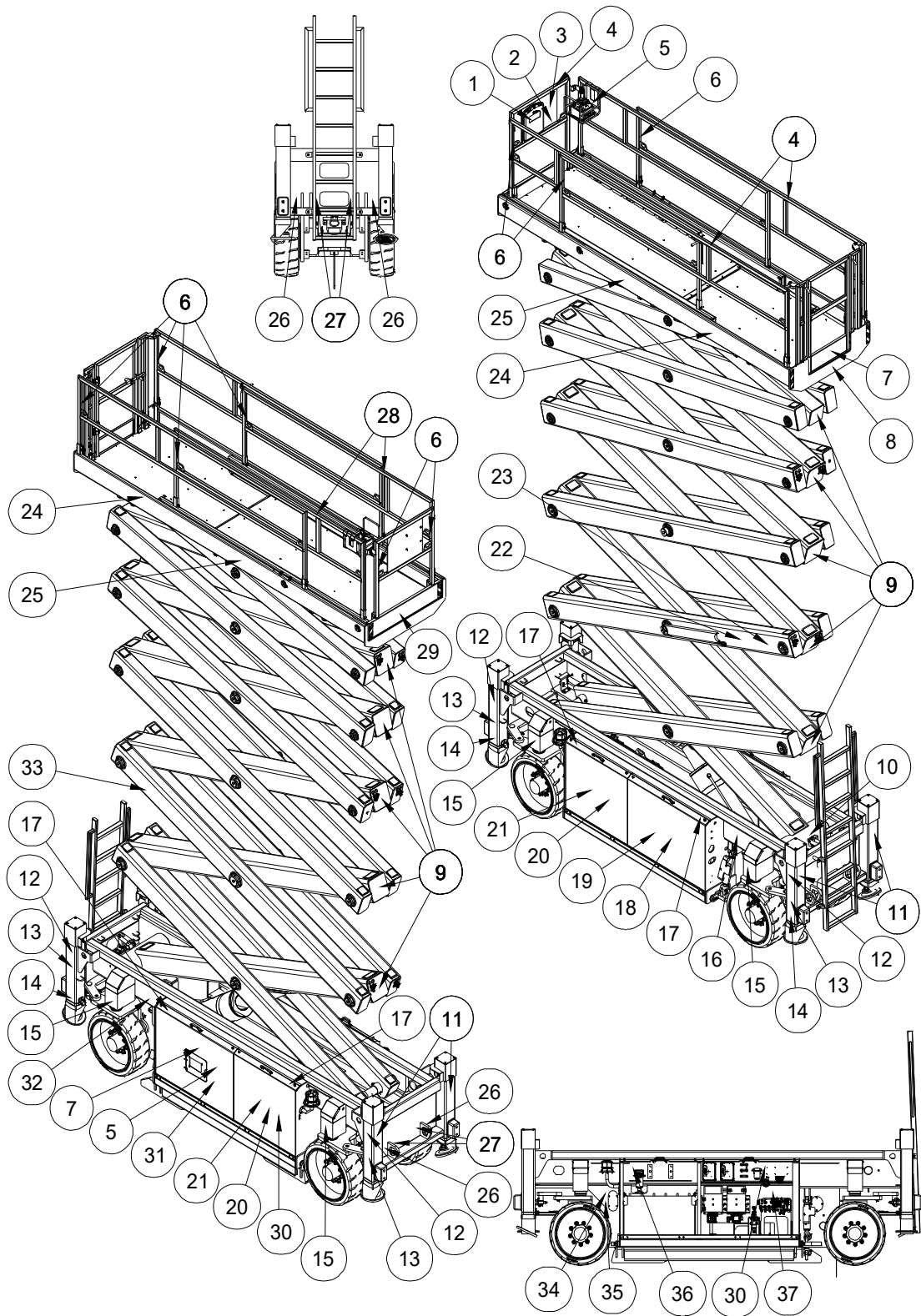


502.1 Power to Platform

Item	Part No.	Description	Qty.
1	00003148	AC plug (China 220V)	1
	00003149	AC plug (USA 110V)	1
	00003151	AC plug (European 220V)	1
	00003150	AC plug (UK 220V)	1
	00002615	AC plug (UK 110V)	1
2	00002634	Circuit breaker (Option)	1
3	00002603	AC plug (Australia 220V)	1
4	00007267	Wire cable, platform AC power (JCPT2212DC)	1
	00009945	Wire cable, platform AC power (JCPT1912DC)	1
5	00002709	AC socket (European)	1
	00000668	AC socket (China/UK/USA)	1
	00002617	AC socket (Australia) (AC socket bracket: 10009657)	1

Section 6 Decal

601.1 Decals with Words



601.1 Decals with Words

Item	Part No.	Description	Qty.
1	09340001	Decal, Notice-Keep the manual with the machine	1
2	09440119	Decal, Danger-Tip-over hazard, tilt-alarm	1
3	09440001	Decal, Danger-General safety rules	1
4	09340070	Decal, Symbols-Non operating hand position	3
5	09340003	Decal, Instructions-Refer the operator to the instructions for use	2
6	09440011	Decal, Label-Lanyard anchorage point	10
7	09410149	Decal, Symbols-Tip-over hazard, use outrigger	2
8	09440362	Decal, Label-Capacity 750kg	1
9	09430007	Decal, Symbols-Crushing hazard	10
10	09410005	Decal, Danger-Do not alter or disable limit switch	1
11	09420005	Decal, Warning-Collision hazard	4
12	09410069	Decal, Warning-Crushing hazard, outrigger	4
13	09410157	Decal, Symbols-Outrigger using warning	4
14	09310338	Decal, Instructions-Maximum outrigger load 3830kg (JCPT2212DC)	4
	09310422	Decal, Instructions-Maximum outrigger load 3680kg (JCPT1912DC)	4
15	09310199	Decal, Instructions-Maximum wheel load 3830kg (JCPT2212DC)	4
	09310420	Decal, Instructions-Maximum wheel load 3680kg (JCPT1912DC)	4
16	09310345	Decal, Instructions-Grease filling port	1
17	09410148	Decal, Symbols-Crushing hazard	8
18	09310148	Decal, Instructions-Emergency	1
19	09410071	Decal, Warning-Injection hazard	1
20	09410140	Decal, Warning-Filling water warning	2
21	09410001	Decal, Danger-Explosion/burn hazard	2
22	09430028	Decal, Danger-Safety arm	1
23	09330016	Decal, Instructions-Grease filling port	1
24	09640143	Decal, Cosmetic-JCPT2212DC (JCPT2212DC)	2

601.1 Decals with Words

Item	Part No.	Description	Qty.
24	09640115	Decal, Cosmetic-JCPT1912DC (JCPT1912DC)	2
25	09440007	Decal, Caution-Max. manual force 400N	2
26	09310050	Decal, Instructions-Tie down point	4
27	09310049	Decal, Instructions-Lift point	4
28	09440212	Decal, Warning-Crushing hazard	2
29	09540001	Decal, Label-CE	1
30	09310349	Decal, Notice-Main power switch operation	2
31	09410003	Decal, Warning-Inspected and operation properly	1
32	09310343	Decal, Instructions-Grease filling port	1
33	09330018	Decal, Instructions-Grease filling port	1
34	09310052	Decal, Instructions-Highest oil level	1
35	09310053	Decal, Instructions-Lowest oil level	1
36	09310054	Decal, Instructions-Hydraulic	1
37	09310356	Decal, Symbols-Emergency operating instructions	1
	09310523	Decal, Symbols-Emergency operating instructions	1

601.1 Decals with Words

① 09340001

② 09440119

③ 09440001

④ 09340070

⑤ 09340003

⑥ 09440011

⑧ 09440362

⑦ 09410149

⑩ 09410005

⑪ 09420005

⑫ 09410069

⑬ 09410157

⑰ 09410148

⑱ 09310148

⑮ 09310199

⑳ 09410140

⑭ 09310422

⑭ 09310338

⑮ 09310420

⑯ 09410071

㉑ 09410001

⑰ 09310345

601.1 Decals with Words

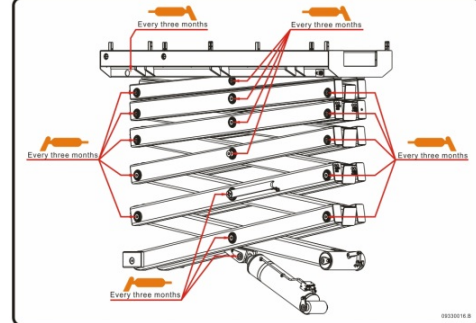
22 09430028



25 09440007



23 09330016



26 09310050



28 09440212



24 09640115

JCPT1912DC

27 09310049



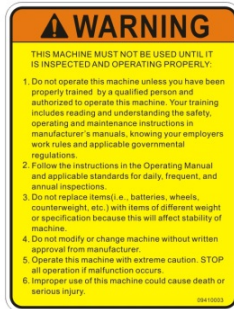
24 09640143

JCPT2212DC

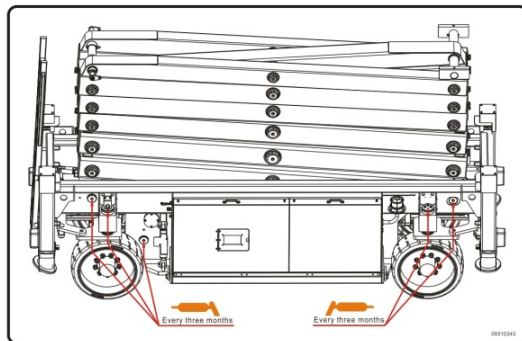
29 09540001



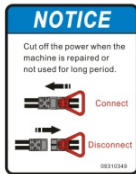
31 09410003



32 09310343



30 09310349



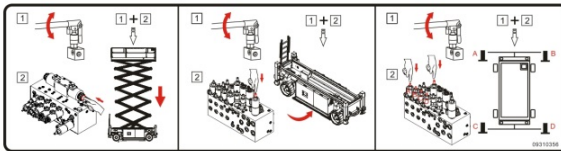
34 09310052



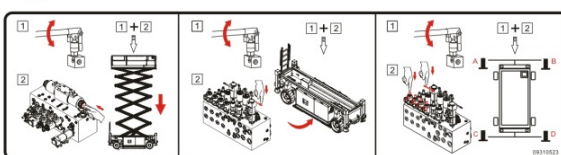
35 09310053



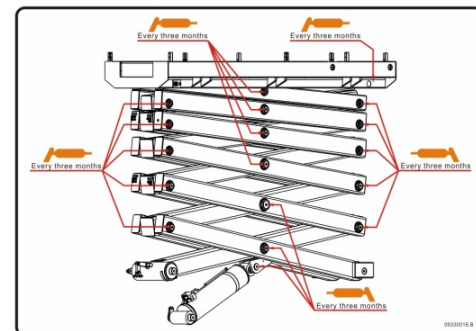
37 09310356



37 09310523



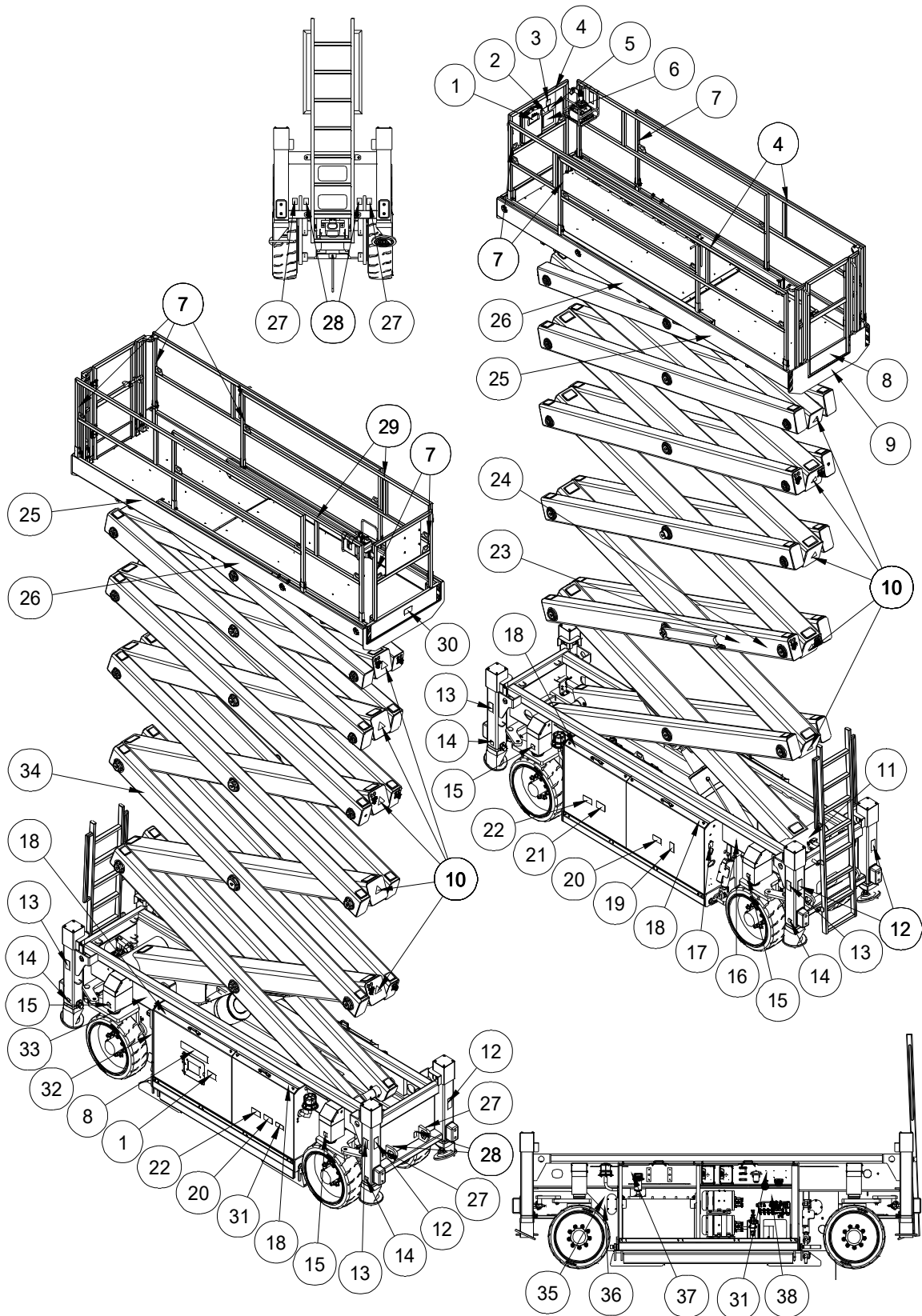
33 09330018



36 09310054

HYDRAULIC

602.1 Decals with Symbols



602.1 Decals with Symbols

Item	Part No.	Description	Qty.
1	09340026	Decal, Symbols-Refer the operator to the instructions for use	2
2	09440094	Decal, Symbols-Tip-over hazard, outrigger	1
3	09340028	Decal, Instructions-Directional arrows	1
4	09340070	Decal, Symbols-Non operating hand position	3
5	09440090	Decal, Symbols-Tip-over hazard, tilt-alarm	1
6	09440091	Decal, Symbols-General safety rules	1
7	09440089	Decal, Label-Lanyard anchorage point	10
8	09410149	Decal, Symbols-Tip-over hazard, use outrigger	2
9	09440362	Decal, Label-Capacity 750kg	1
10	09430016	Decal, Symbols-Crushing hazard	10
11	09410051	Decal, Symbols-Do not alter or disable limit switch	1
12	09410043	Decal, Symbols-Collision hazard	4
13	09410042	Decal, Symbols-Crushing hazard	4
14	09310422	Decal, Instructions-Maximum outrigger load: 3680kg(JCPT1912DC)	4
	09310338	Decal, Instructions-Maximum outrigger load: 3830kg (JCPT2212DC)	4
15	09310420	Decal, Instructions-Maximum wheel load: 3680kg(JCPT1912DC)	4
	09310199	Decal, Instructions-Maximum wheel load: 3830kg (JCPT2212DC)	4
16	09310348	Decal, Instructions-Grease filling port	1
17	09310098	Decal, Symbols-Platform power instructions	1
18	09410146	Decal, Symbols-Crushing hazard	8
19	09410050	Decal, Symbols-Injection hazard	1
20	09410049	Decal, Symbols-Electrocution hazard	2
21	09410147	Decal, Symbols-Charge warning	1
22	09410048	Decal, Symbols-Explosion/burn hazard	2
23	09430008	Decal, Symbols-Safety arm	1
24	09330020	Decal, Instructions-Grease filling port	1

602.1 Decals with Symbols

Item	Part No.	Description	Qty.
25	09640115	Decal, Cosmetic- JCPT1912DC (JCPT1912DC)	2
	09640143	Decal, Cosmetic-JCPT2212DC (JCPT2212DC)	2
26	09440072	Decal, Symbols-Max. manual force 400N	2
27	09310094	Decal, Instructions-Tie down point	4
28	09310095	Decal, Instructions-Lift point	4
29	09440212	Decal, Warning-Crushing hazard	2
30	09540001	Decal, Label-CE	1
31	09310354	Decal, Notice-Main power switch operation	2
32	09310355	Decal, Symbols-Battery charging instructions	1
33	09310347	Decal, Instructions-Grease filling port	1
34	09330021	Decal, Instructions-Grease filling port	1
35	09310052	Decal, Instructions-Highest Hydraulic Oil Level	1
36	09310053	Decal, Instructions-Lowest Hydraulic Oil Level	1
37	09310073	Decal, Instructions-Hydraulic Oil	1
38	09310356	Decal, Symbols-Emergency operating instructions	1
	09310523	Decal, Symbols-Emergency operating instructions	1

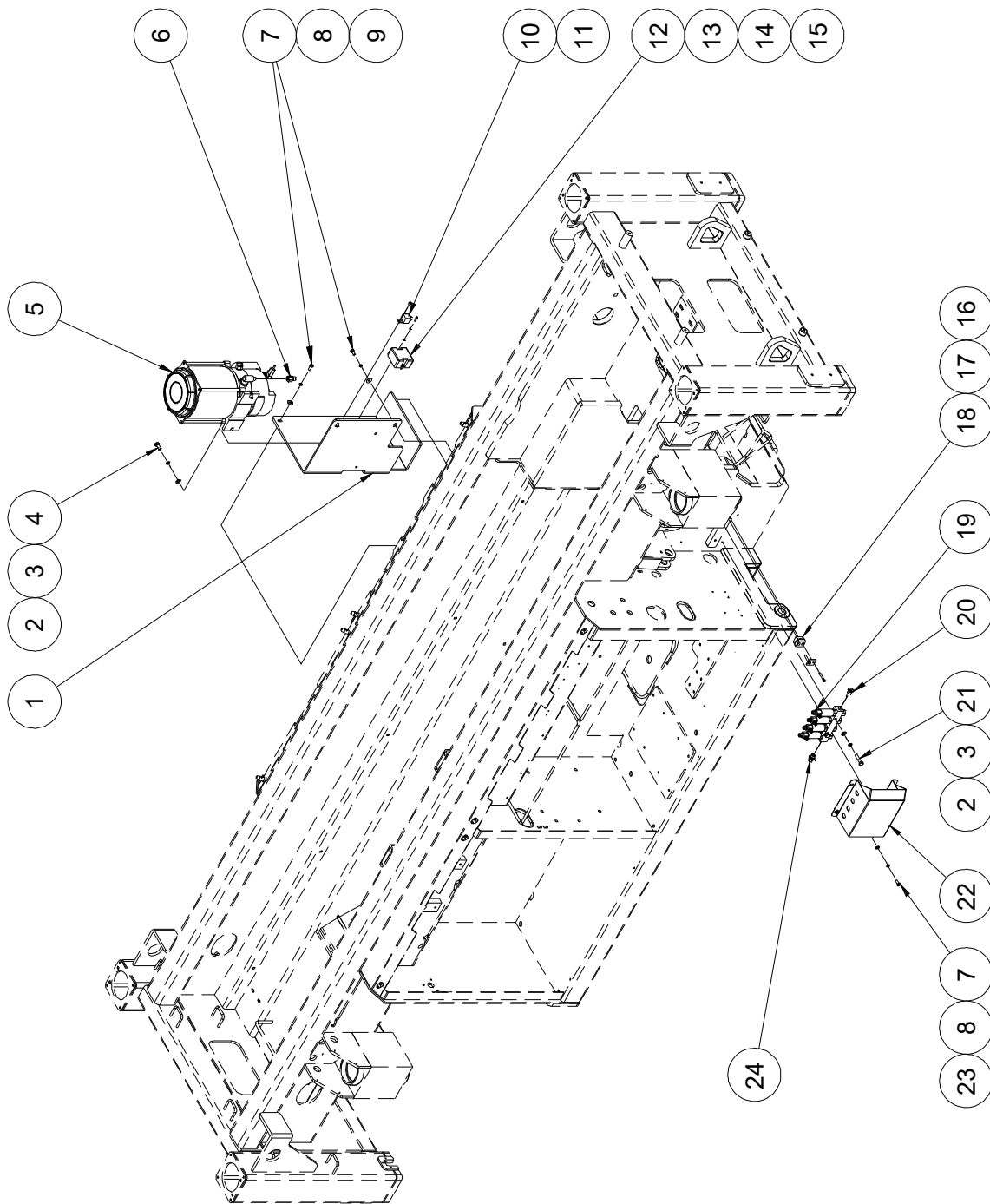
602.1 Decals with Symbols

<p>23) 09430008</p>	<p>27) 09310094</p>	<p>24) 09330020</p>
<p>26) 09440072</p>	<p>28) 09310095</p>	
<p>25) 09640115</p> <h1>JCPT1912DC</h1>		<p>29) 09440212</p>
<p>25) 09640143</p> <h1>JCPT2212DC</h1>		<p>30) 09540001</p>
<p>33) 09310347</p>	<p>34) 09330021</p>	
<p>31) 09310354</p>	<p>32) 09310355</p>	<p>38) 09310356</p>
<p>35) 09310052</p>	<p>37) 09310073</p>	<p>38) 09310523</p>
<p>36) 09310053</p>		

Section 7

Automatic Lubrication Systems

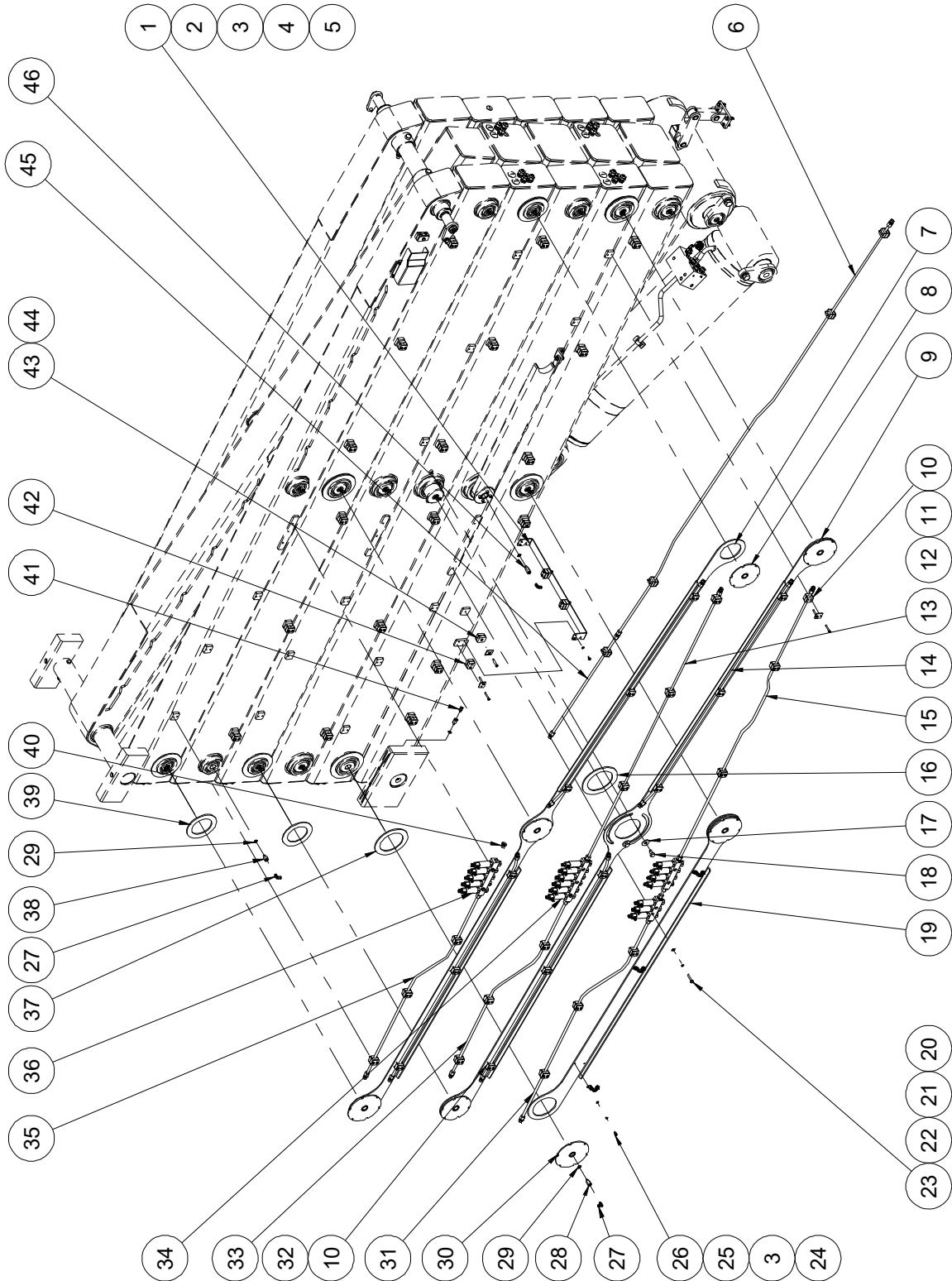
701.1 Automatic Lubrication Systems - Chassis Components



701.1 Automatic Lubrication Systems - Chassis Components

Item	Part No.	Description	Qty.
1	10020270	Support plate	1
2	00000615	Washer GB/T 97.1 10	4
3	00000679	Washer GB/T 93 10	4
4	00000678	Bolt GB/T 5783 M10×25	2
5	00008660	Pump	1
6	00008939	Straight fitting	1
7	00000875	Bolt GB/T 5783 M8×20	6
8	00000609	Washer GB/T 93 8	6
9	00002000	Washer GB/T 96.1 8	4
10	00002206	Relay	1
11	00001010	Screw GB/T 973 M5×8	1
12	00008922	Power (12V to 24V)	1
13	00001246	Screw GB/T 70.1 M5×16	2
14	00000606	Washer GB/T 93 5	2
15	00000605	Washer GB/T 97.1 5	2
16	00003176	Bolt GB/T 5782 M6×40	2
17	00008840	Base plate	1
18	00008827	Hose clamp	1
19	10019770	QSL metering device assembly 2	1
--	00008662	QSL metering device	1
--	00008958	Straight fitting	4
20	00001113	Plug VSTI3/8ED	1
21	00002411	Bolt GB/T 5783 M10×45	2
22	10020273	Cover	1
23	00000608	Washer GB/T 97.1 8	2
24	00001499	Straight fitting	1

702.1 Automatic Lubrication Systems - Scissor Components (JCPT2212DC)



702.1 Automatic Lubrication Systems - Scissor Components (JCPT2212DC)

Item	Part No.	Description	Qty.
1	10018297	Hose bridge 4	1
2	00001033	Nut GB/T 6182 M6	4
3	00000620	Washer GB/T 97.1 6	10
4	00000745	Bolt GB/T 5783 M6×12	4
5	00002312	Bolt GB/T 5782 M6×45	4
6	10019222	Pipe assembly 1	1
7	10018293	Hose bridge 3	1
8	10019177	Protection plate 1	3
9	10018286	Hose bridge 2	1
10	00008826	Hose clamp	33
11	00008840	Base plate	56
12	00003176	Bolt GB/T 5782 M6×40	86
13	10019232	Pipe assembly 8	1
14	10019229	Pipe assembly 6	4
15	10019228	Pipe assembly 5	1
16	10019174	Washer 3	2
17	00002601	Washer GB/T 96.1 12	2
18	10024574	Screw	2
19	10018285	Hose bridge 1	1
20	10019394	QSL metering device assembly 1	1
--	00008662	QSL metering device	1
--	00008825	QSL metering device	1
--	10019227	Pipe 4	1
--	00008836	Retaining nut M16×1.5	2
--	00008837	Cutting ring 10	2
--	00001499	Straight fitting	2
--	00008958	Straight fitting	7
21	00000608	Washer GB/T 97.1 8	9

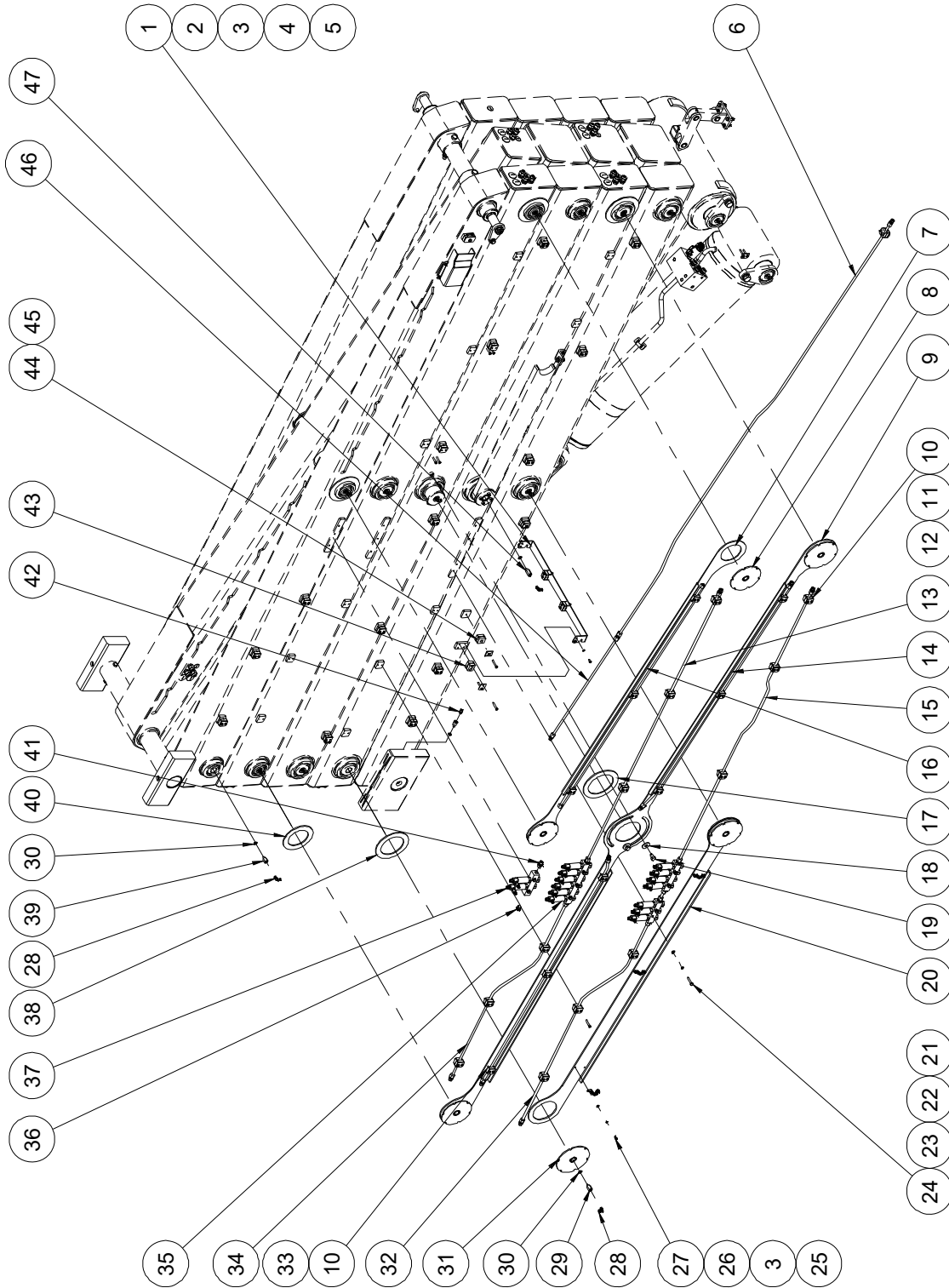
702.1 Automatic Lubrication Systems - Scissor Components (JCPT2212DC)

Item	Part No.	Description	Qty.
22	00000609	Washer GB/T 93 8	9
23	00002604	Bolt GB/T 5783 M8×40	9
24	10014141	Clamp	3
25	00000621	Washer GB/T 93 6	6
26	00008512	Screw GB/T 70.1 M6×10	6
27	00008665	Elbow	20
28	10019190	Fitting 3	7
29	00001332	Washer JB/T 982 10	22
30	10019178	Protection plate 2	4
31	10019225	Pipe assembly 3	1
32	00005158	Bolt GB/T 5782 M6×35	24
33	10019230	Pipe assembly 7	1
34	10019771	QSL metering device assembly 3	1
--	00008664	QSL metering device	1
--	00008958	Straight fitting	6
35	10019234	Pipe assembly 9	1
36	10019769	QSL metering device assembly 4	1
--	00008663	QSL metering device	1
--	00008958	Straight fitting	5
37	10019173	Washer 2	8
38	10018295	Fitting 1	14
39	10019172	Washer 1	6
40	00001113	Plug VST13/8ED	1
41	00008846	Straight fitting	2
42	00008827	Hose clamp	23
43	00008839	Hose clamp	2
44	00008844	Base plate	2
45	10019223	Pipe assembly 2	1

**702.1 Automatic Lubrication Systems - Scissor Components
(JCPT2212DC)**

Item	Part No.	Description	Qty.
46	10018296	Fitting 2	1

703.1 Automatic Lubrication Systems - Scissor Components (JCPT1912DC)



703.1 Automatic Lubrication Systems - Scissor Components (JCPT1912DC)

Item	Part No.	Description	Qty.
1	10018297	Hose bridge 4	1
2	00001033	Nut GB/T 6182 M6	4
3	00000620	Washer GB/T 97.1 6	10
4	00000745	Bolt GB/T 5783 M6×12	4
5	00002312	Bolt GB/T 5782 M6×45	4
6	10019222	Pipe assembly 1	1
7	10021138	Hose bridge 3	1
8	10019177	Protection plate 1	3
9	10018286	Hose bridge 2	1
10	00008826	Hose clamp	27
11	00008840	Base plate	47
12	00003176	Bolt GB/T 5782 M6×40	70
13	10019232	Pipe assembly 8	1
14	10019229	Pipe assembly 6	2
15	10019228	Pipe assembly 5	1
16	10020442	Pipe assembly 11	1
17	10019174	Washer 3	2
18	00002601	Washer GB/T 96.1 12	2
19	10024574	Screw	2
20	10018285	Hose bridge 1	1
21	10019394	QSL metering device assembly 1	1
--	00008662	QSL metering device	1
--	00008825	QSL metering device	1
--	10019227	Pipe 4	1
--	00008836	Retaining nut M16×1.5	2
--	00008837	Cutting ring 10	2
--	00001499	Straight fitting	2
--	00008958	Straight fitting	7

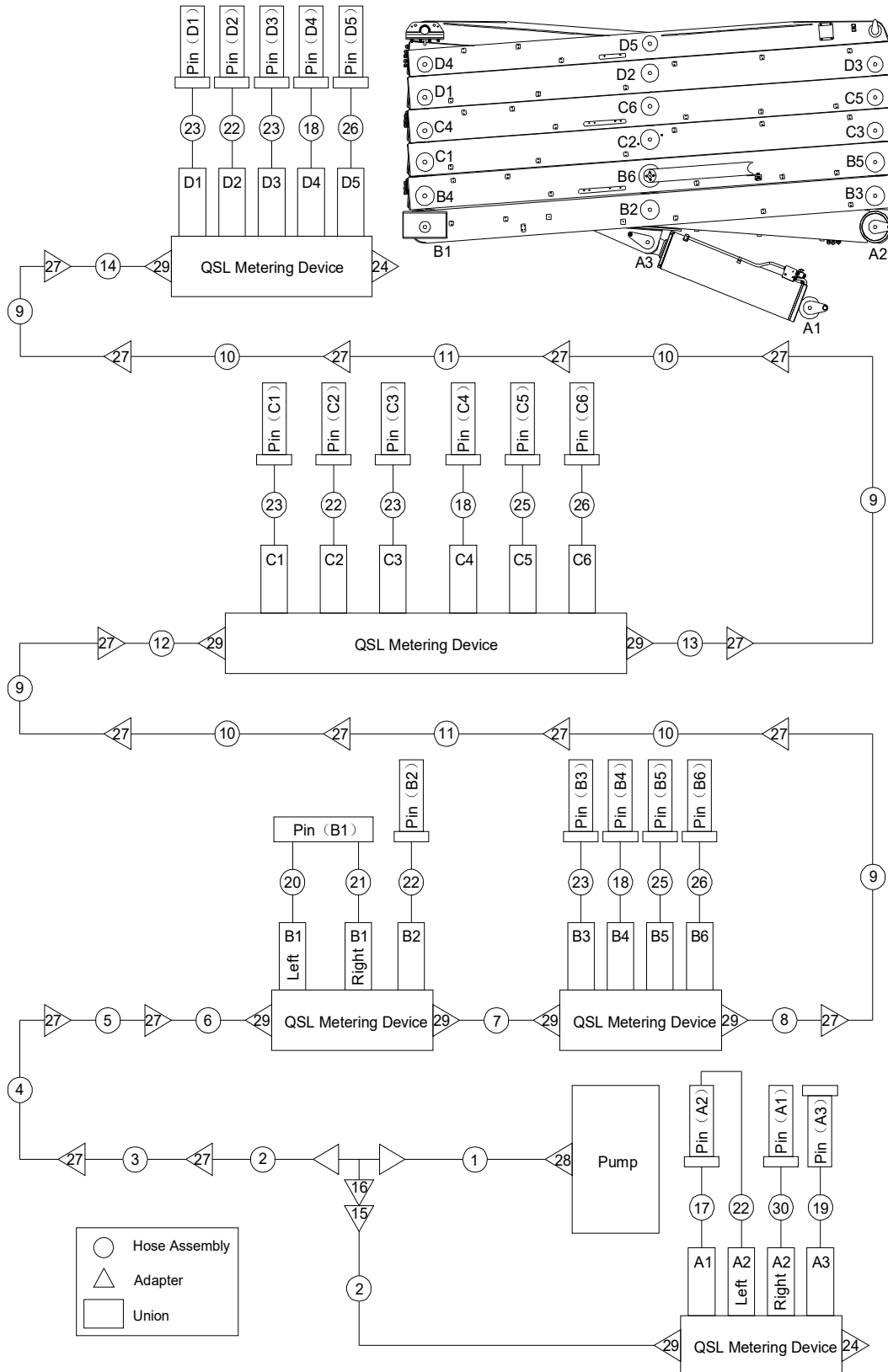
703.1 Automatic Lubrication Systems - Scissor Components (JCPT1912DC)

Item	Part No.	Description	Qty.
22	00000608	Washer GB/T 97.1 8	9
23	00000609	Washer GB/T 93 8	9
24	00002604	Bolt GB/T 5783 M8×40	9
25	10014141	Clamp	3
26	00000621	Washer GB/T 93 6	6
27	00008512	Screw GB/T 70.1 M6×10	6
28	00008665	Elbow	17
29	10019190	Fitting 3	6
30	00001332	Washer JB/T 982 10	22
31	10019178	Protection plate 2	3
32	10019225	Pipe assembly 3	1
33	00005158	Bolt GB/T 5782 M6×35	18
34	10019230	Pipe assembly 7	1
35	10019771	QSL metering device assembly 3	1
--	00008664	QSL metering device	1
--	00008958	Straight fitting	6
36	00001113	Plug VST13/8ED	1
37	10021139	QSL metering device assembly 5	1
--	00008663	QSL metering device	1
--	00008958	Straight fitting	2
38	10019173	Washer 2	6
39	10018295	Fitting 1	14
40	10019172	Washer 1	6
41	00001499	Straight fitting	1
42	00008846	Straight fitting	2
43	00008827	Hose clamp	20
44	00008839	Hose clamp	2
45	00008844	Base plate	2

**703.1 Automatic Lubrication Systems - Scissor Components
(JCPT1912DC)**

Item	Part No.	Description	Qty.
46	10019223	Pipe assembly 2	1
47	10018296	Fitting 2	1

704.1 Automatic Lubrication Systems - Hoses and Fittings (JCPT2212DC)



704. 1 Automatic Lubrication Systems - Hoses and Fittings (JCPT2212DC)

Item	Part No.	Description	Qty.
1	00008865	Hose assembly	1
2	00008864	Hose assembly	2
3	10019222	Pipe assembly 1	1
--	10018281	Pipe 1	1
--	00008836	Retaining nut M16×1.5	2
--	00008837	Cutting ring 10	2
4	10019223	Pipe assembly 2	1
--	10019224	Pipe 2	1
--	00008836	Retaining nut M16×1.5	2
--	00008837	Cutting ring 10	2
5	00008863	Hose assembly	1
6	10019225	Pipe assembly 3	1
--	10018290	Pipe 3	1
--	00008836	Retaining nut M16×1.5	2
--	00008837	Cutting ring 10	2
7	10019226	Pipe assembly 4	1
--	10019227	Pipe 4	1
--	00008836	Retaining nut M16×1.5	2
--	00008837	Cutting ring 10	2
8	10019228	Pipe assembly 5	1
--	10018282	Pipe 5	1
--	00008836	Retaining nut M16×1.5	2
--	00008837	Cutting ring 10	2
9	00008862	Hose assembly	4
10	10019229	Pipe assembly 6	4
--	10018292	Pipe 6	1
--	00008836	Retaining nut M16×1.5	2
--	00008837	Cutting ring 10	2

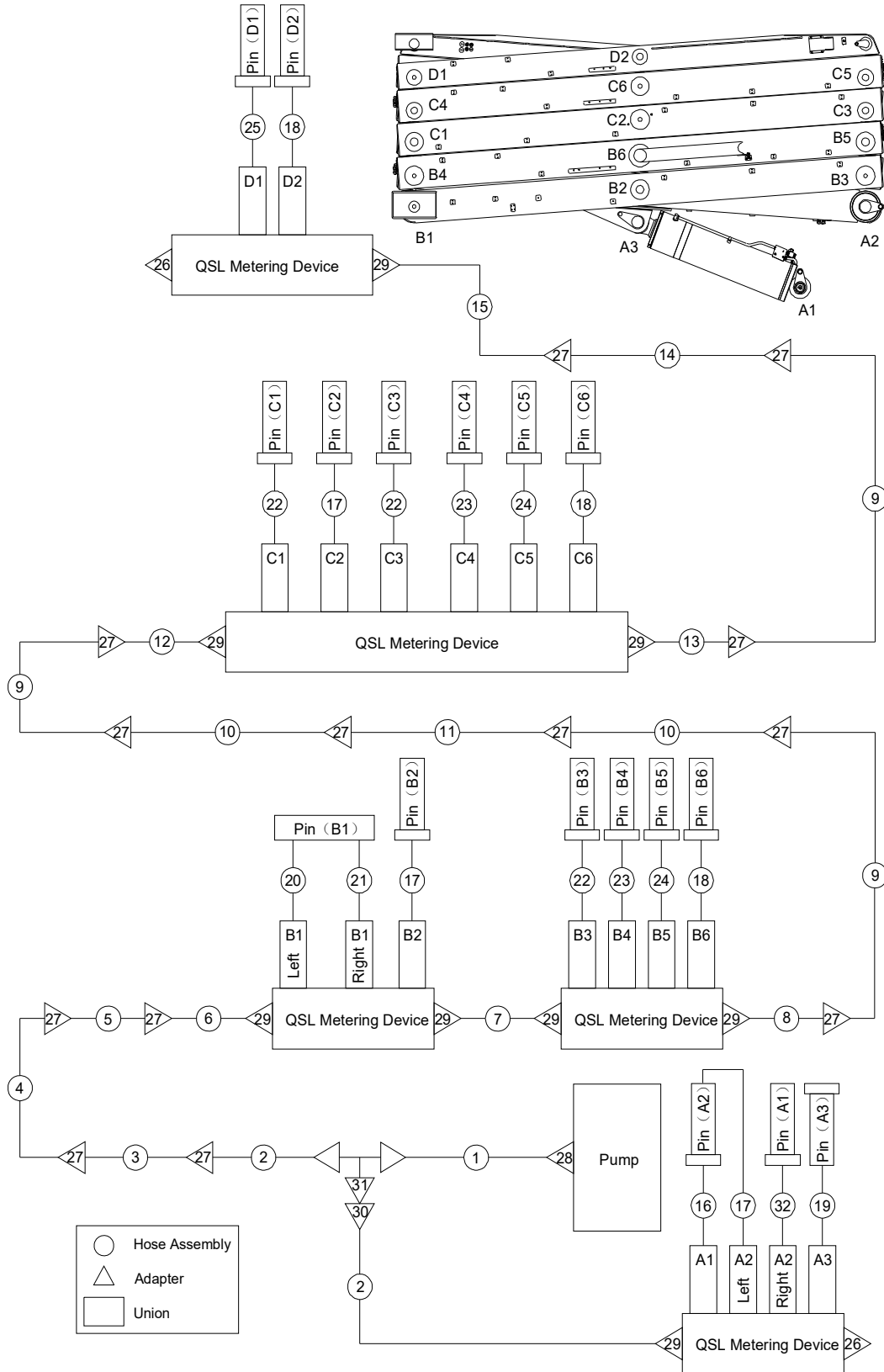
704. 1 Automatic Lubrication Systems - Hoses and Fittings (JCPT2212DC)

Item	Part No.	Description	Qty.
11	00008861	Hose assembly	2
12	10019230	Pipe assembly 7	1
--	10019231	Pipe 7	1
--	00008836	Retaining nut M16×1.5	2
--	00008837	Cutting ring 10	2
13	10019232	Pipe assembly 8	1
--	10019233	Pipe 8	1
--	00008836	Retaining nut M16×1.5	2
--	00008837	Cutting ring 10	2
14	10019234	Pipe assembly 9	1
--	10019235	Pipe 8	1
--	00008836	Retaining nut M16×1.5	2
--	00008837	Cutting ring 10	2
15	00001833	Elbow	1
16	00002102	Tee fitting	1
17	10021260	Hose assembly L2700	1
18	10021238	Hose assembly L1700	4
19	10021239	Hose assembly L3300	1
20	10021240	Hose assembly L5200	1
21	10021241	Hose assembly L6200	1
22	10021242	Hose assembly L3700	4
23	10021243	Hose assembly L5500	5
24	00001113	Plug VST13/8ED	2
25	10021244	Hose assembly L2200	2
26	10021235	Hose assembly L300	3
27	00004468	Straight fitting	16
28	00008939	Straight fitting	1
29	00001499	Straight fitting	8

**704. 1 Automatic Lubrication Systems - Hoses and Fittings
(JCPT2212DC)**

Item	Part No.	Description	Qty.
30	10023596	Hose assembly L190	1

705.1 Automatic Lubrication Systems - Hoses and Fittings (JCPT1912DC)



705.1 Automatic Lubrication Systems - Hoses and Fittings (JCPT1912DC)

Item	Part No.	Description	Qty.
1	00008865	Hose assembly	1
2	00008864	Hose assembly	2
3	10019222	Pipe assembly 1	1
--	10018281	Pipe 1	1
--	00008836	Retaining nut M16×1.5	2
--	00008837	Cutting ring 10	2
4	10019223	Pipe assembly 2	1
--	10019224	Pipe 2	1
--	00008836	Retaining nut M16×1.5	2
--	00008837	Cutting ring 10	2
5	00008863	Hose assembly	1
6	10019225	Pipe assembly 3	1
--	10018290	Pipe 3	1
--	00008836	Retaining nut M16×1.5	2
--	00008837	Cutting ring 10	2
7	10019226	Pipe assembly 4	1
--	10019227	Pipe 4	1
--	00008836	Retaining nut M16×1.5	2
--	00008837	Cutting ring 10	2
8	10019228	Pipe assembly 5	1
--	10018282	Pipe 5	1
--	00008836	Retaining nut M16×1.5	2
--	00008837	Cutting ring 10	2
9	00008862	Hose assembly	3
10	10019229	Pipe assembly 6	2
--	10018292	Pipe 6	1
--	00008836	Retaining nut M16×1.5	2
--	00008837	Cutting ring 10	2

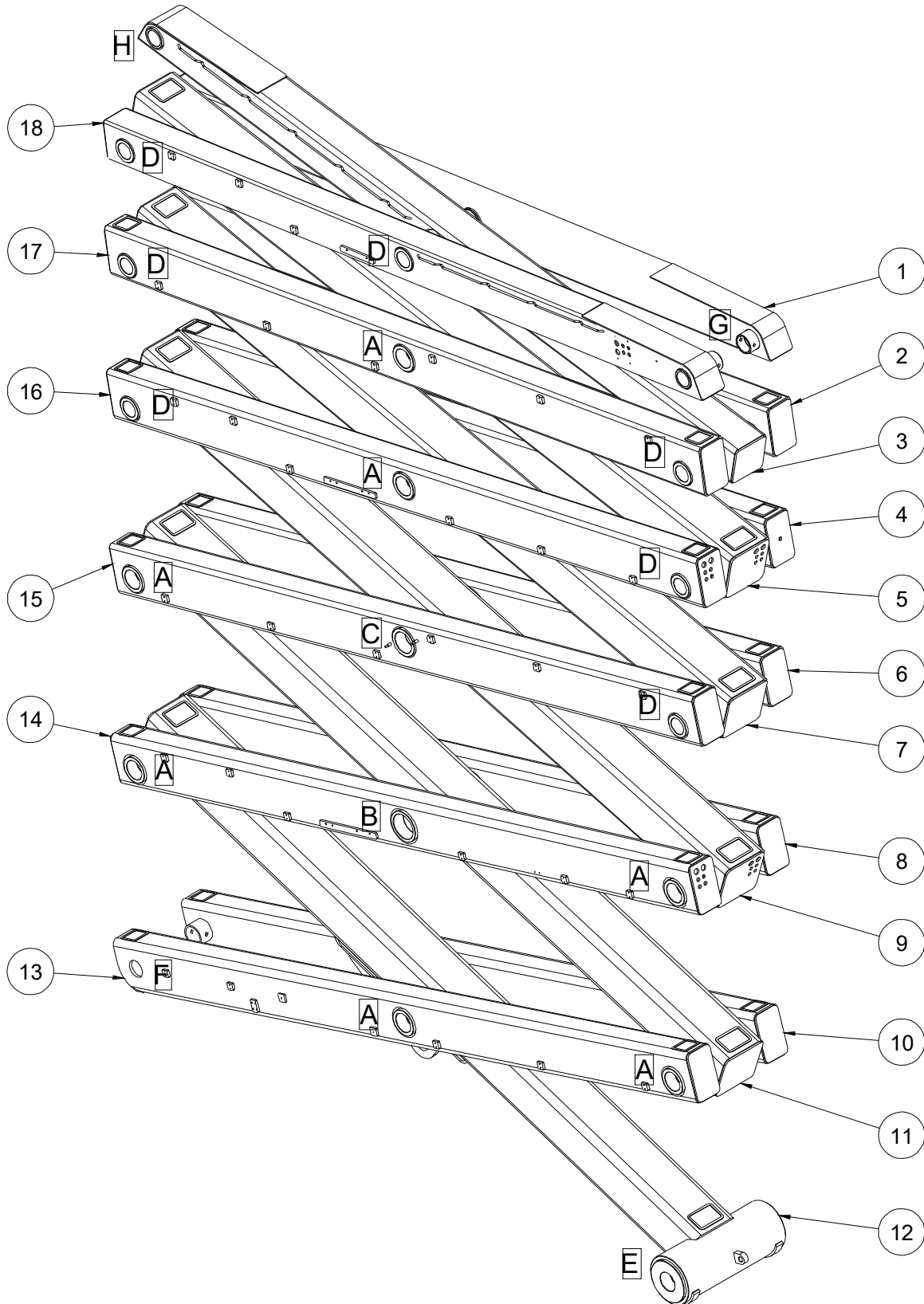
705.1 Automatic Lubrication Systems - Hoses and Fittings (JCPT1912DC)

Item	Part No.	Description	Qty.
11	00008861	Hose assembly	1
12	10019230	Pipe assembly 7	1
--	10019231	Pipe 7	1
--	00008836	Retaining nut M16×1.5	2
--	00008837	Cutting ring 10	2
13	10019232	Pipe assembly 8	1
--	10019233	Pipe 8	1
--	00008836	Retaining nut M16×1.5	2
--	00008837	Cutting ring 10	2
14	10020442	Pipe assembly 11	1
--	10020443	Pipe 11	1
--	00008836	Retaining nut M16×1.5	2
--	00008837	Cutting ring 10	2
15	00009298	Hose assembly	1
16	10021260	Hose assembly L2700	1
17	10021242	Hose assembly L3700	3
18	10021235	Hose assembly L300	3
19	10021239	Hose assembly L3300	1
20	10021240	Hose assembly L5200	1
21	10021241	Hose assembly L6200	1
22	10021243	Hose assembly L5500	3
23	10021238	Hose assembly L1700	2
24	10021244	Hose assembly L2200	2
25	10021261	Hose assembly L1500	1
26	00001113	Plug VST13/8ED	2
27	00004468	Straight fitting	13
28	00008939	Straight fitting	1
29	00001499	Straight fitting	8

**705.1 Automatic Lubrication Systems - Hoses and Fittings
(JCPT1912DC)**

Item	Part No.	Description	Qty.
30	00001833	Elbow	1
31	00002102	Tee fitting	1
32	10023596	Hose assembly L190	1

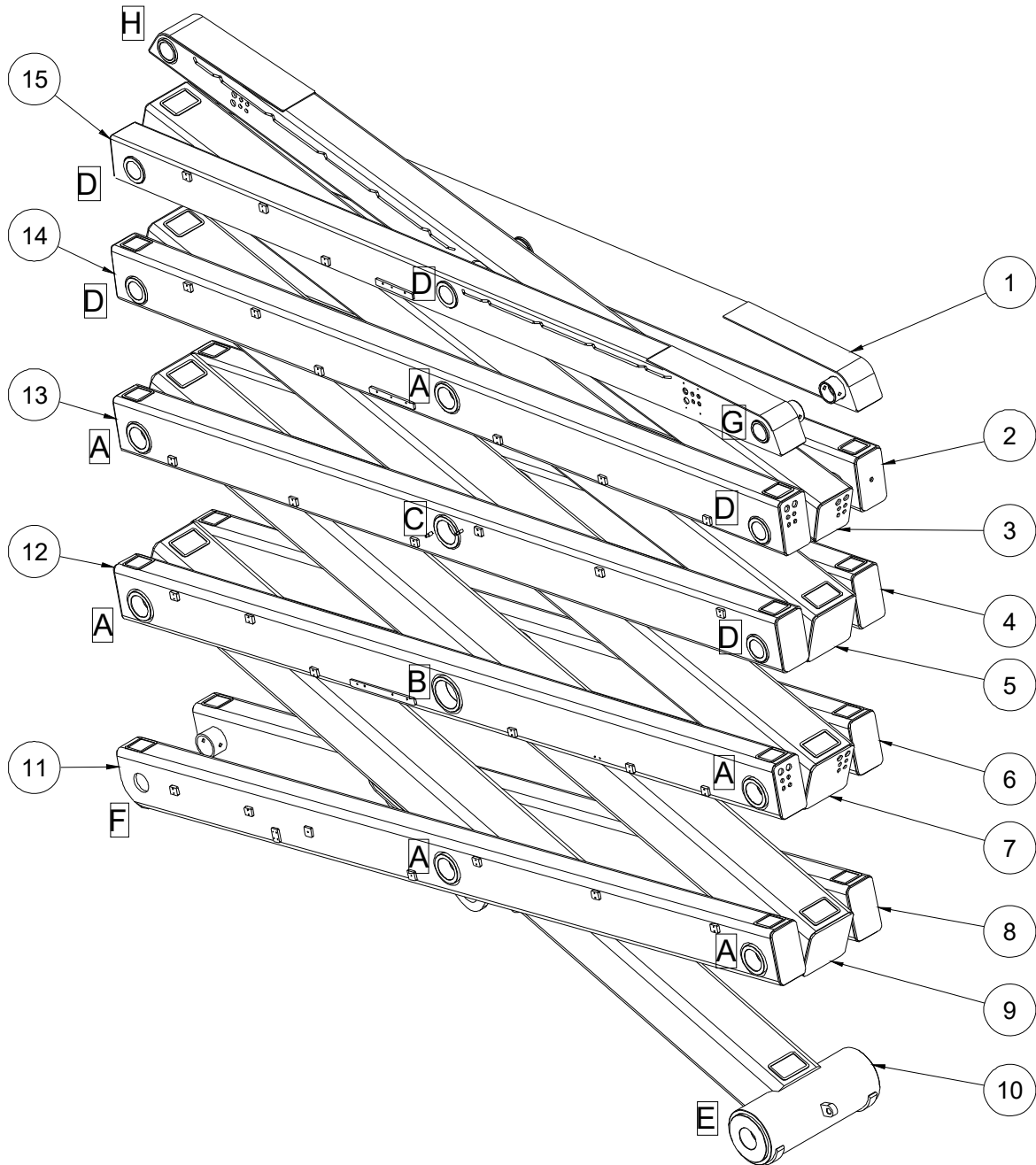
706.1 Automatic Lubrication Systems - Scissor Arms Installation (JCPT2212DC)



706.1 Automatic Lubrication Systems - Scissor Arms Installation (JCPT2212DC)

Item	Part No.	Description	Qty.
1	10009256	Outer arm 6, right	1
2	10017467	Outer arm 5	1
3	10009223	Inner arm 6	1
4	10017462	Outer arm 4, right	1
5	10017469	Inner arm 5	1
6	10017458	Outer arm 3	1
7	10017465	Inner arm 4	1
8	10009283	Outer arm 2, right	1
9	10017460	Inner arm 3	1
10	10019162	Outer arm 1, right	1
11	10009212	Inner arm 2	1
12	10019160	Inner arm 1	1
13	10019161	Outer arm 1, left	1
14	10019163	Outer arm 2, left	1
15	10019164	Outer arm 3, left	1
16	10019167	Outer arm 4, left	1
17	10019165	Outer arm 5, left	1
18	10019166	Outer arm 6, left	1

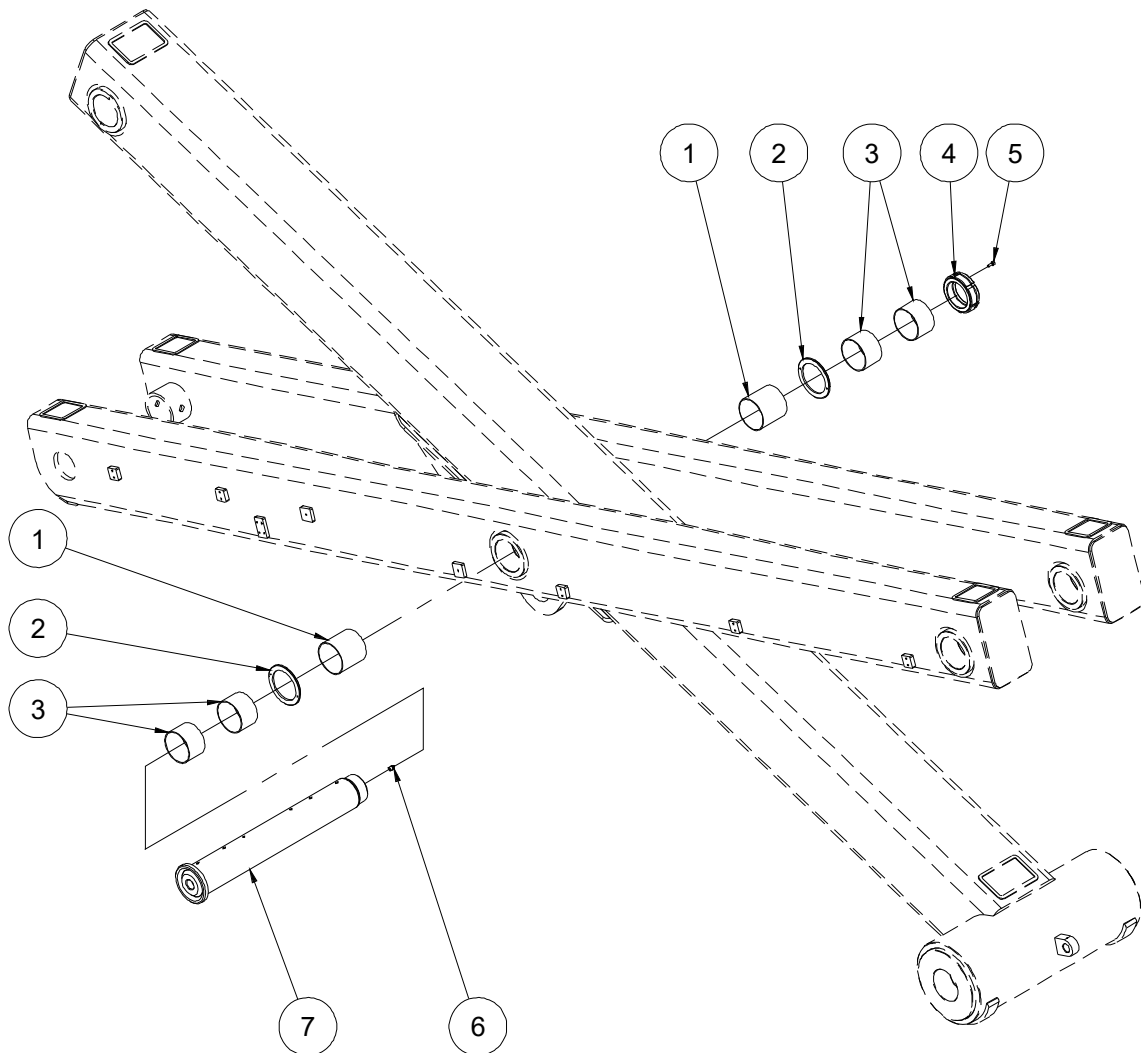
707.1 Automatic Lubrication Systems - Scissor Arms Installation (JCPT1912DC)



**707.1 Automatic Lubrication Systems - Scissor Arms
Installation (JCPT1912DC)**

Item	Part No.	Description	Qty.
1	10009256	Outer arm 6, right	1
2	10017462	Outer arm 4, right	1
3	10016526	Inner arm 6	1
4	10017458	Outer arm 3	1
5	10017465	Inner arm 4	1
6	10009283	Outer arm 2, right	1
7	10017460	Inner arm 3	1
8	10019162	Outer arm 1, right	1
9	10009212	Inner arm 2	1
10	10019160	Inner arm 1	1
11	10019161	Outer arm 1, left	1
12	10019163	Outer arm 2, left	1
13	10019164	Outer arm 3	1
14	10019167	Outer arm 4, left	1
15	10019166	Outer arm 6, left	1

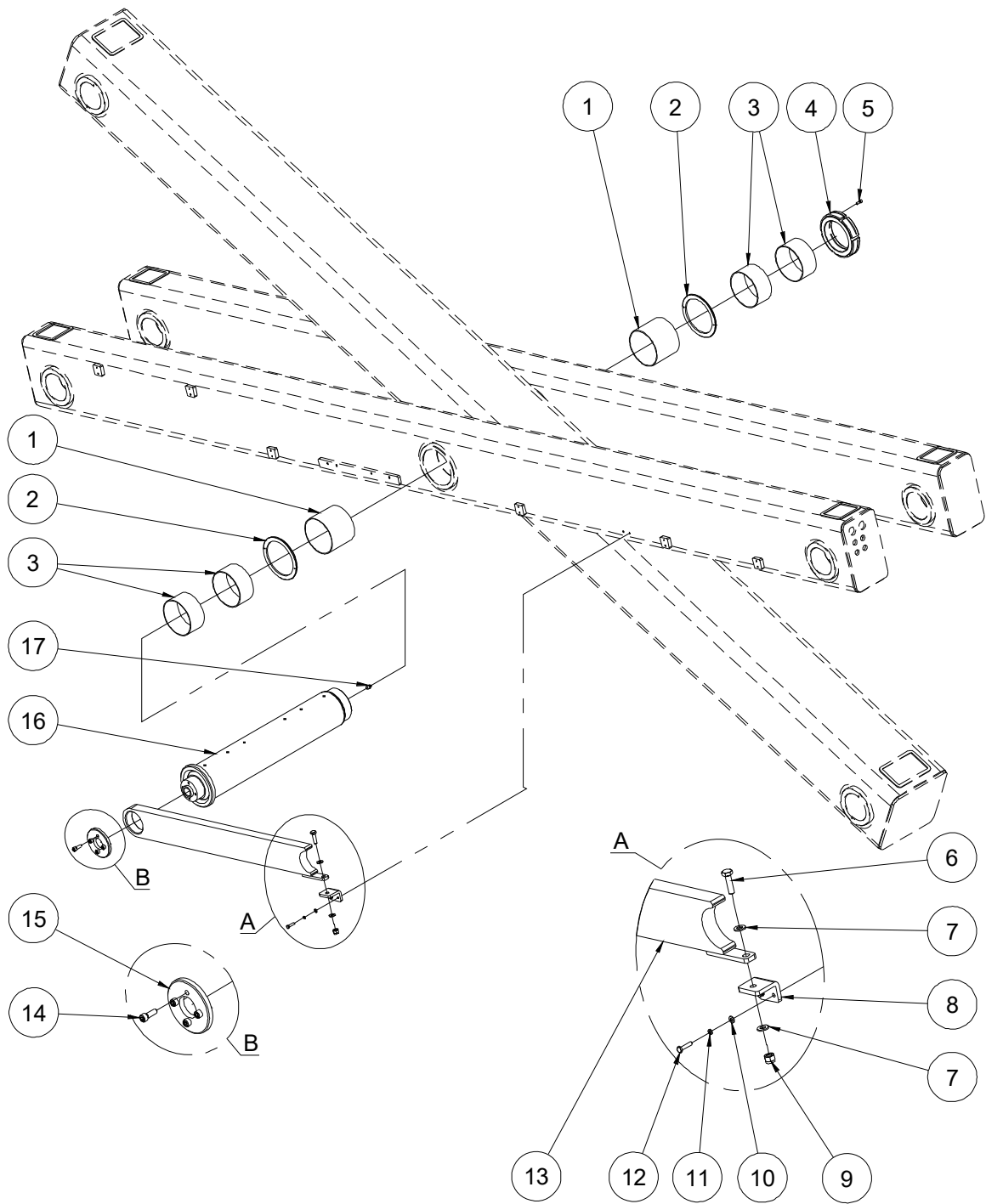
708.1 Automatic Lubrication Systems - Scissor Arm pin joint A



708.1 Automatic Lubrication Systems - Scissor Arm pin joint A

Item	Part No.	Description	Qty.
1	00006140	8812-909590A Bearing	2
2	10009382	Washer 90	2
3	00006149	8812-909560A Bearing	4
4	10017506	Nu M80	1
5	00000876	Screw GB/T 70.1 M6×16	4
6	00004483	Grease nipple GB/T 1152 M10×1	1
7	10009358	Pin 90	1

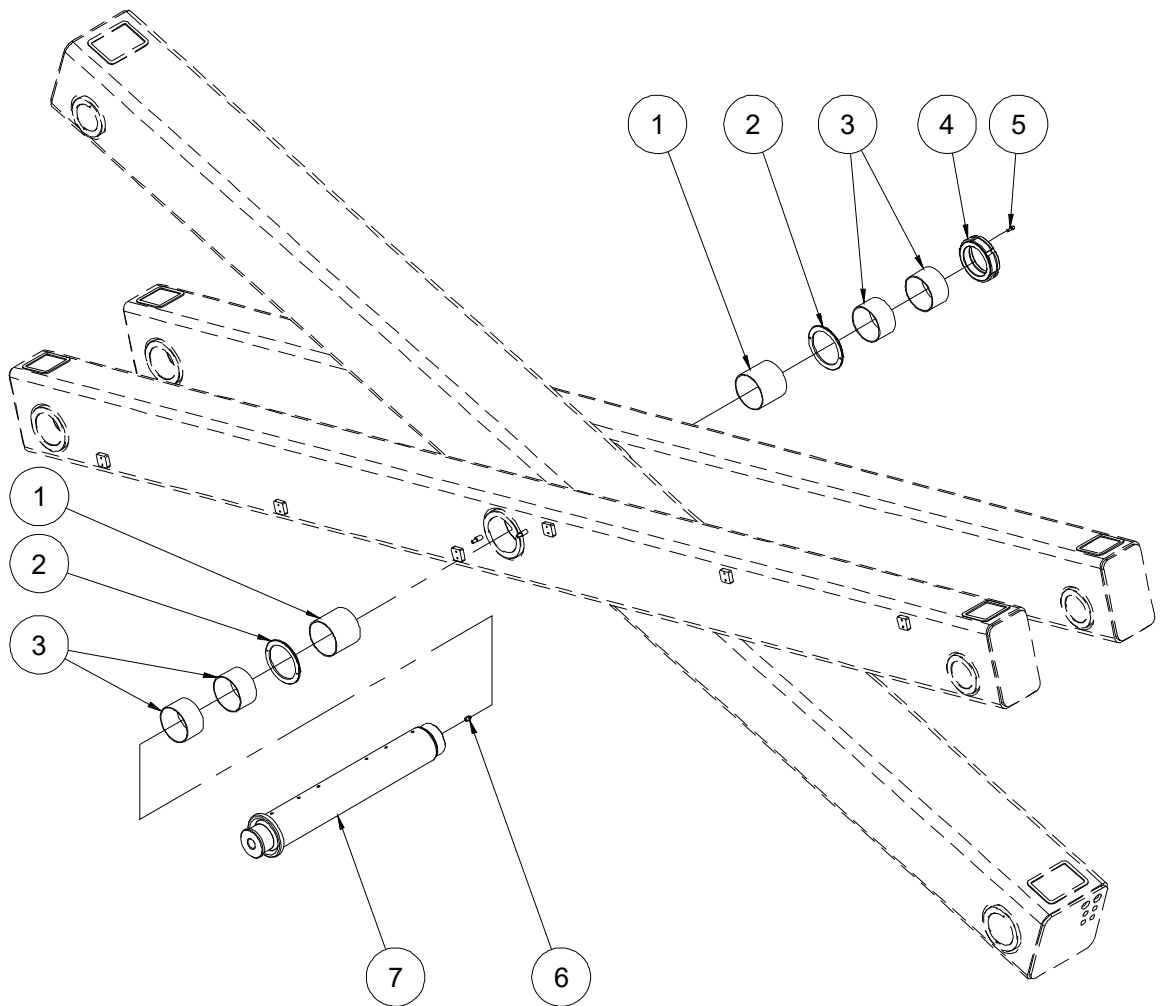
709.1 Automatic Lubrication Systems - Scissor Arm pin joint B



709.1 Automatic Lubrication Systems - Scissor Arm pin joint B

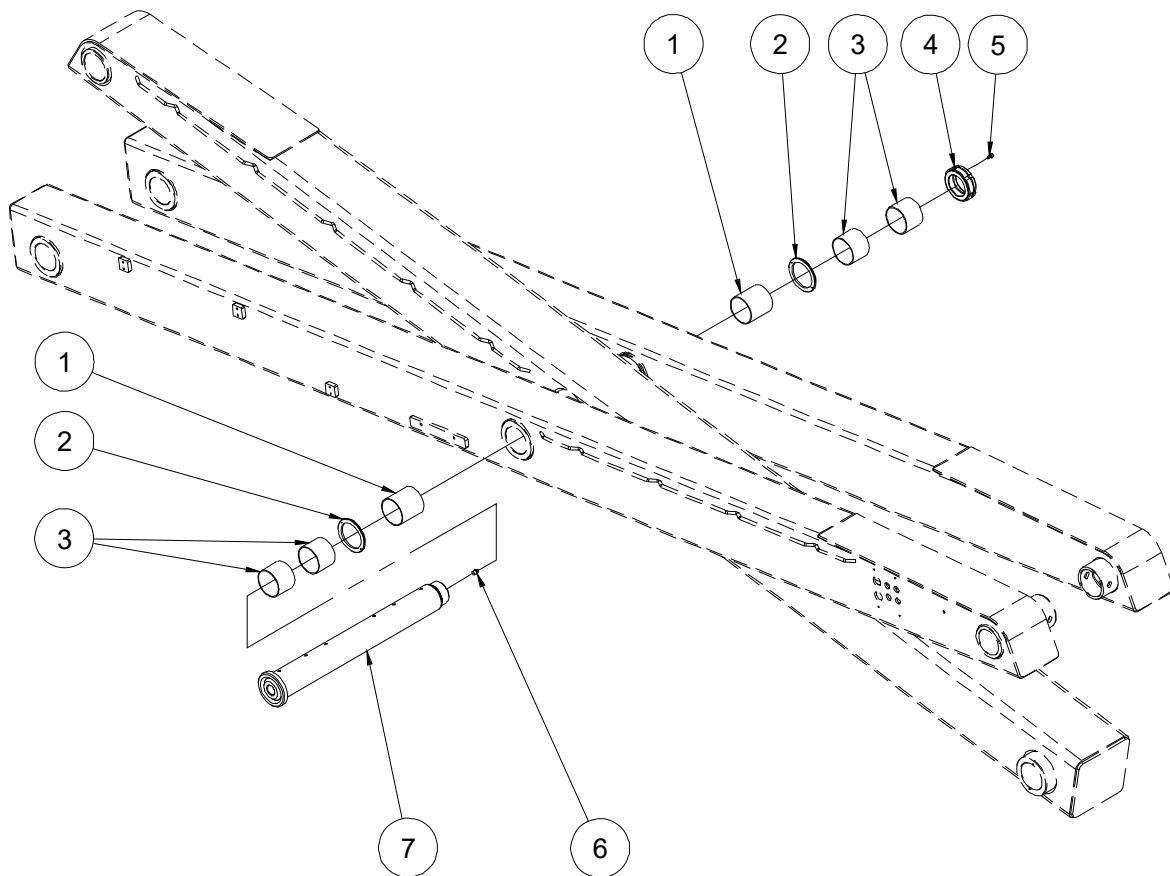
Item	Part No.	Description	Qty.
1	00006146	8812-120125100A Bearing	2
2	10009384	Washer 120	2
3	00006151	8812-12012560A Bearing	4
4	10017504	Nut M110	1
5	00000876	Screw GB/T 70.1 M6×16	6
6	00000684	Bolt GB/T 5783 M10×35	1
7	00000615	Washer GB/T 97.1 10	2
8	10009578	Bracket	1
9	00000623	Nut GB/T 6182 M10	1
10	00000620	Washer GB/T 97.1 6	2
11	00000621	Washer GB/T 93 6	2
12	00000619	Bolt GB/T 5783 M6×25	2
13	10009274	Safety arm	1
14	00002555	Screw GB/T 70.1 M8×25	4
15	10009264	Safety arm retainer	1
16	10009381	Pin 120	1
17	00004483	Grease nipple GB/T 1152 M10×1	1

710.1 Automatic Lubrication Systems - Scissor Arm pin joint C



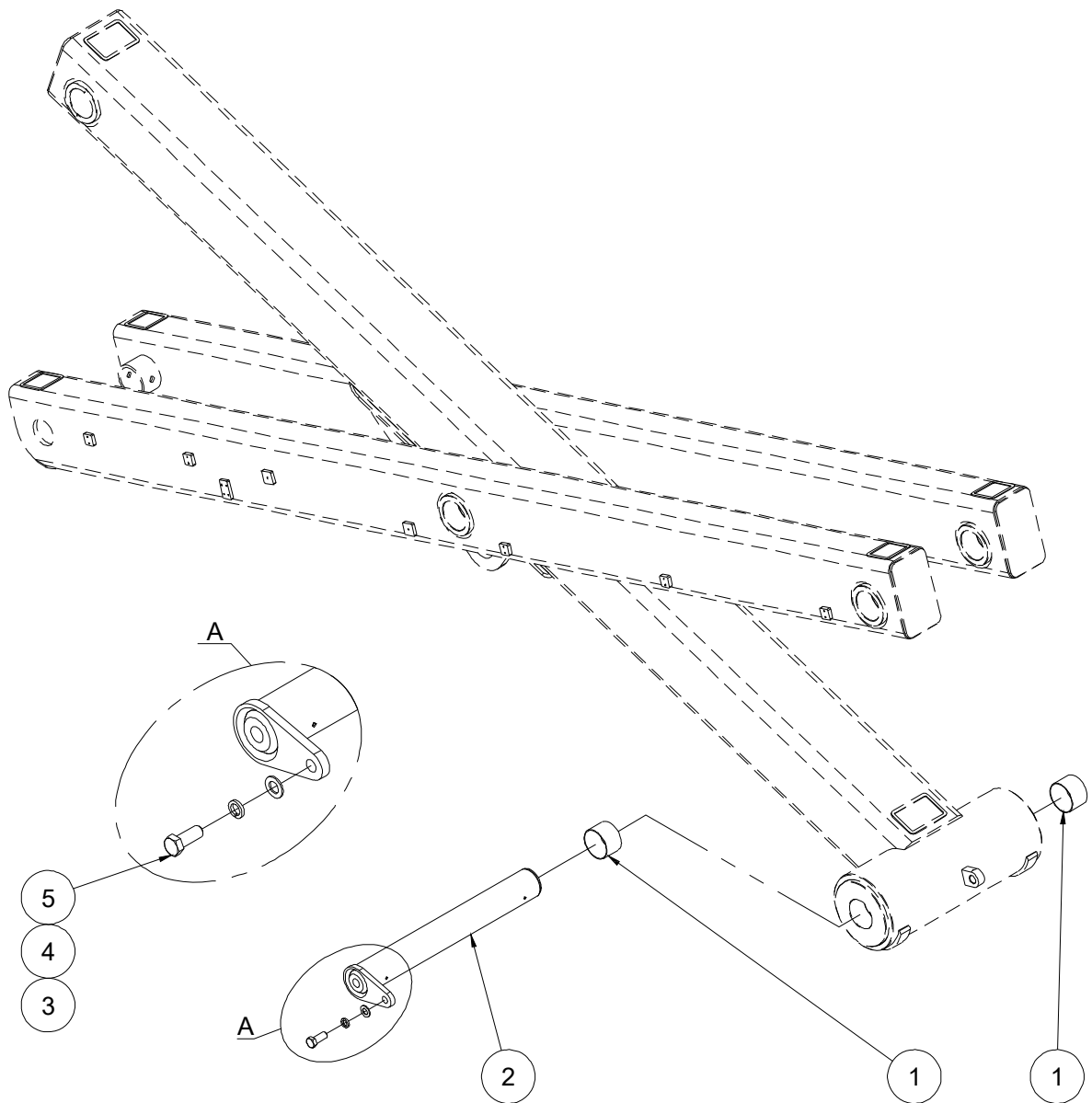
710.1 Automatic Lubrication Systems - Scissor Arm pin joint C

Item	Part No.	Description	Qty.
1	00006145	8812-10010590A Bearing	2
2	10009383	Washer 100	2
3	00006150	8812-10010560A Bearing	4
4	10017505	Nu M90	1
5	00000876	Screw GB/T 70.1 M6×16	4
6	00004483	Grease nipple GB/T 1152 M10×1	1
7	10009380	Pin 100	1

711.1 Automatic Lubrication Systems - Scissor Arm pin joint D**711.1 Automatic Lubrication Systems - Scissor Arm pin joint D**

Item	Part No.	Description	Qty.
1	00006144	8812-758080A Bearing	2
2	10009374	Washer 75	2
3	00006143	8812-758060A Bearing	4
4	10017507	Nut M64	1
5	00002029	Screw GB/T 70.1 M6×12	4
6	00004483	Grease nipple GB/T 1152 M10×1	1
7	10009379	Pin 75	1

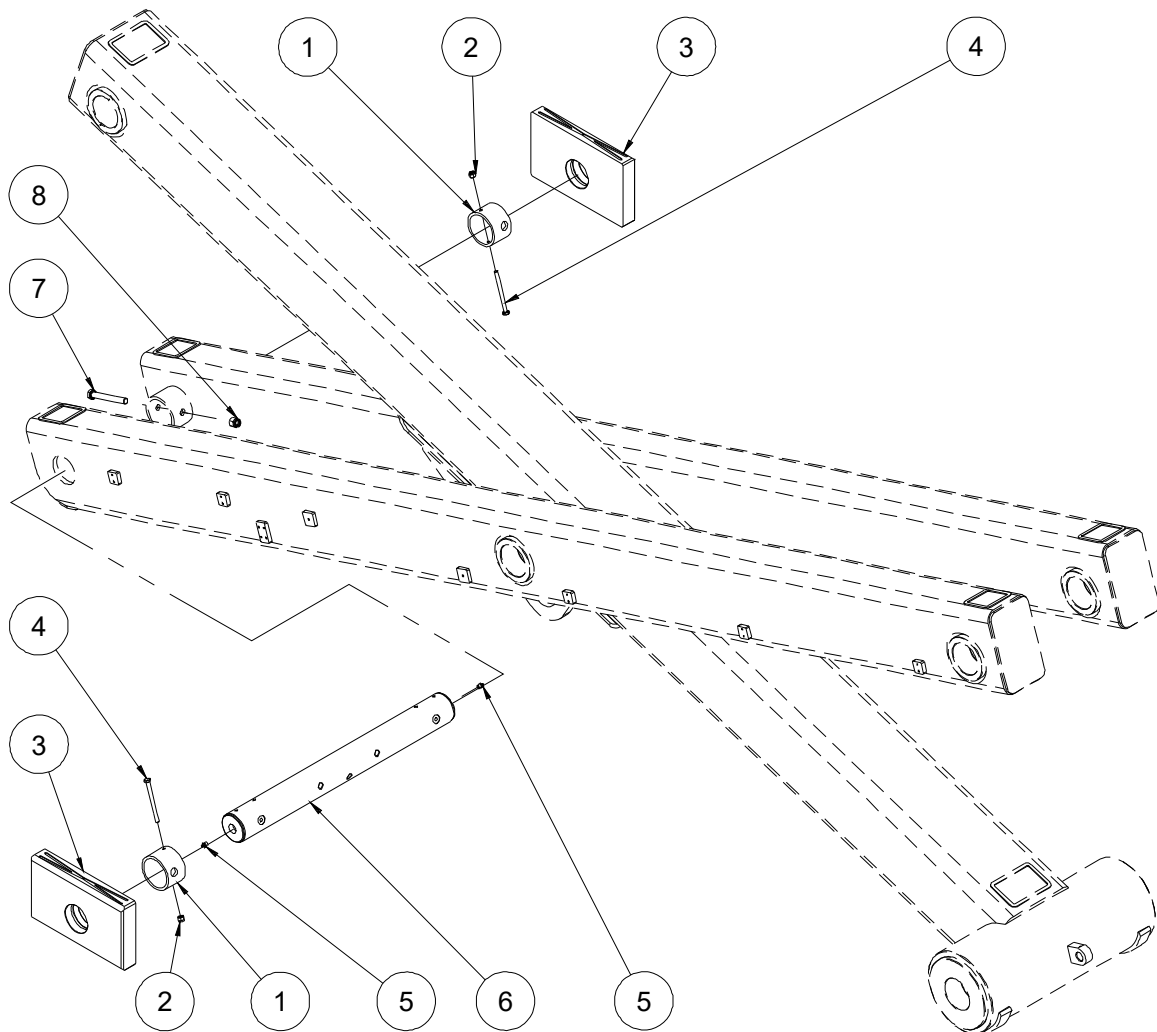
712.1 Automatic Lubrication Systems - Scissor Arm pin joint E



712.1 Automatic Lubrication Systems - Scissor Arm pin joint E

Item	Part No.	Description	Qty.
1	00006149	8812-909560A Bearing	2
2	10009378	Pin	1
3	00001050	Washer GB/T 97.1 20	1
4	00002219	Washer GB/T 93 20	1
5	00002224	Bolt GB/T 5783 M20×50	1

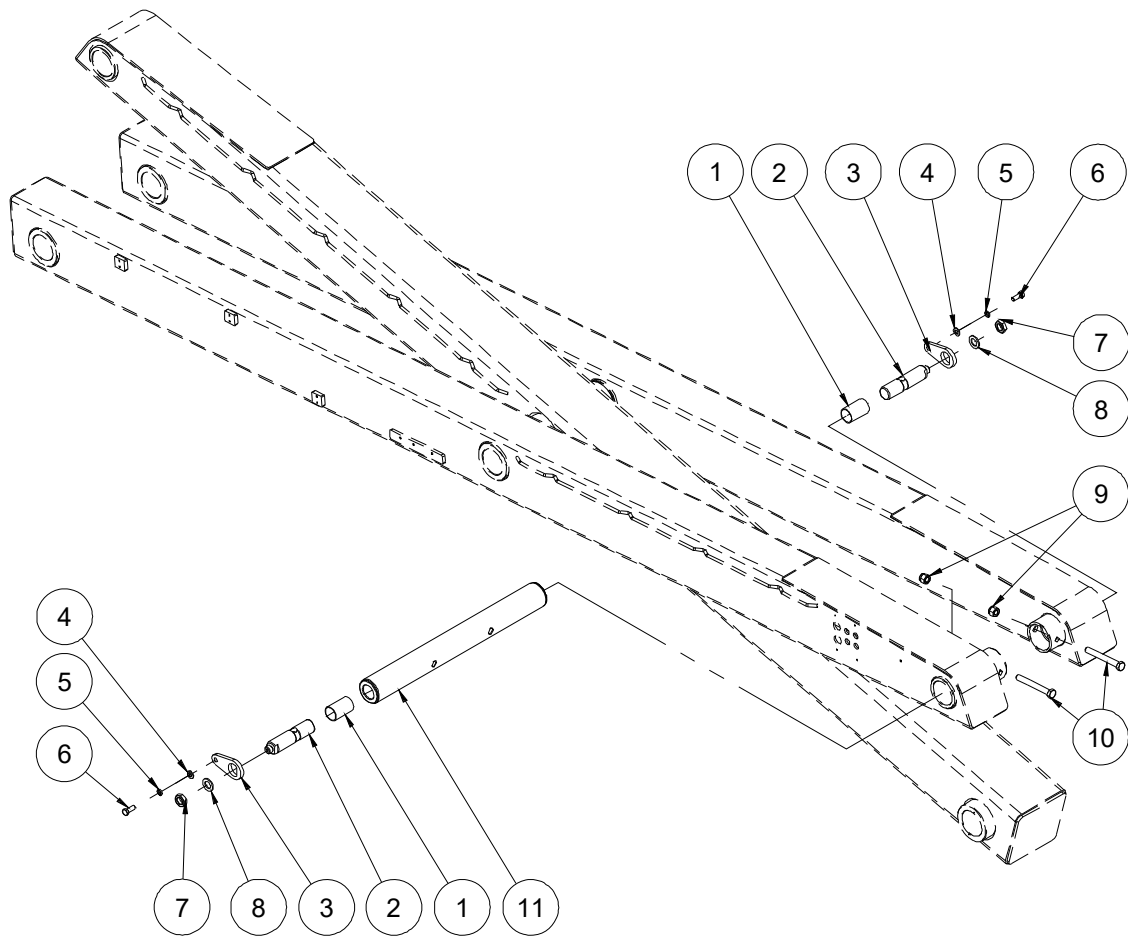
713.1 Automatic Lubrication Systems - Scissor Arm pin joint F



713.1 Automatic Lubrication Systems - Scissor Arm pin joint F

Item	Part No.	Description	Qty.
1	10018288	Spacer sleeve	2
2	00000623	Nut GB/T 6182 M10	2
3	10009258	Chassis slider	2
4	00004603	Bolt GB/T 5782 M10×120	2
5	00004483	Grease nipple GB/T 1152 M10×1	2
6	10018287	Pin	1
7	00001109	Bolt GB/T 5782 M16×130	2
8	00001257	Nut GB/T 6182 M16	2

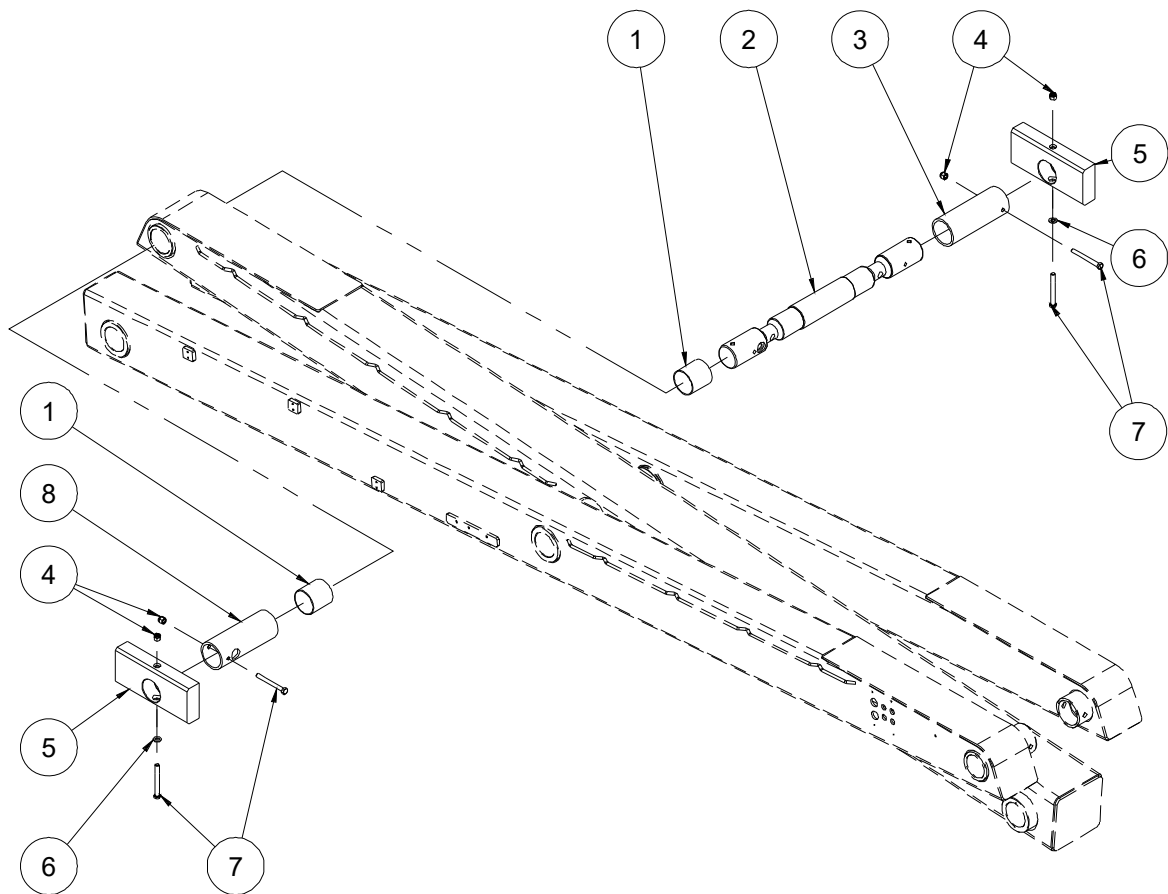
714.1 Automatic Lubrication Systems - Scissor Arm pin joint G



714.1 Automatic Lubrication Systems - Scissor Arm pin joint G

Item	Part No.	Description	Qty.
1	00006165	8812-404470 Bearing	2
2	10009662	Pin	2
3	10009677	Pin fixing plate	2
4	00000814	Washer GB/T 97.1 12	2
5	00000815	Washer GB/T 93 12	2
6	00002059	Bolt GB/T 5783 M12×30	2
7	00001998	Nut GB/T 6173 M22×1.5	2
8	00002550	Washer GB/T 97.1 22	2
9	00001257	Nut GB/T 6182 M16	2
10	00001109	Bolt GB/T 5782 M16×130	2
11	10009661	Pin	1

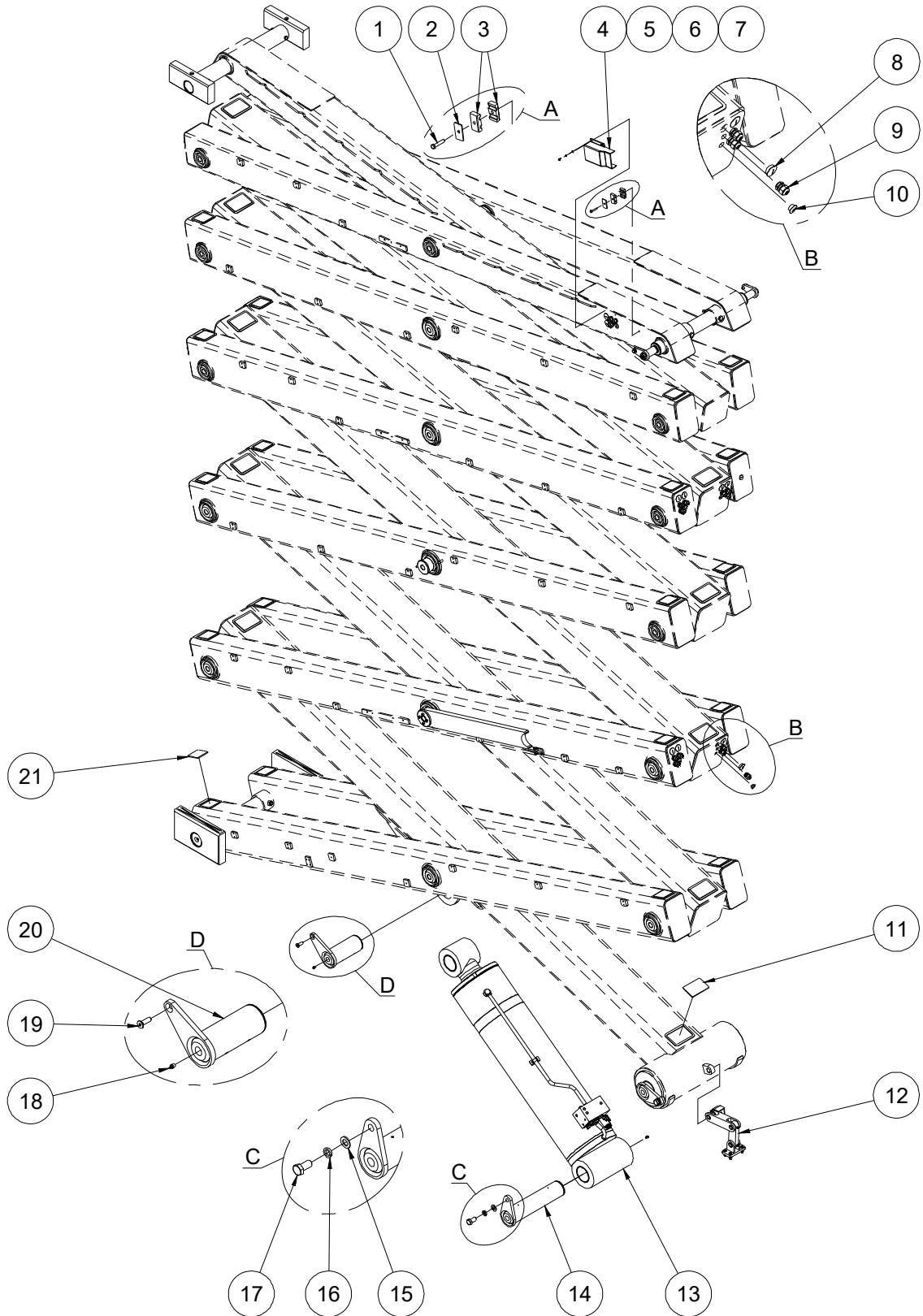
715.1 Automatic Lubrication Systems - Scissor Arm pin joint H



715.1 Automatic Lubrication Systems - Scissor Arm pin joint H

Item	Part No.	Description	Qty.
1	00006166	8812-758080 Bearing	2
2	10009663	Pin	1
3	10009670	Spacer sleeve	1
4	00001249	Nut GB/T 6182 M12	4
5	10009664	Platform slider 2	2
6	00000814	Washer GB/T 97.1 12	2
7	00006174	Bolt GB/T 5782 M12×110	4
8	10009671	Spacer sleeve	1

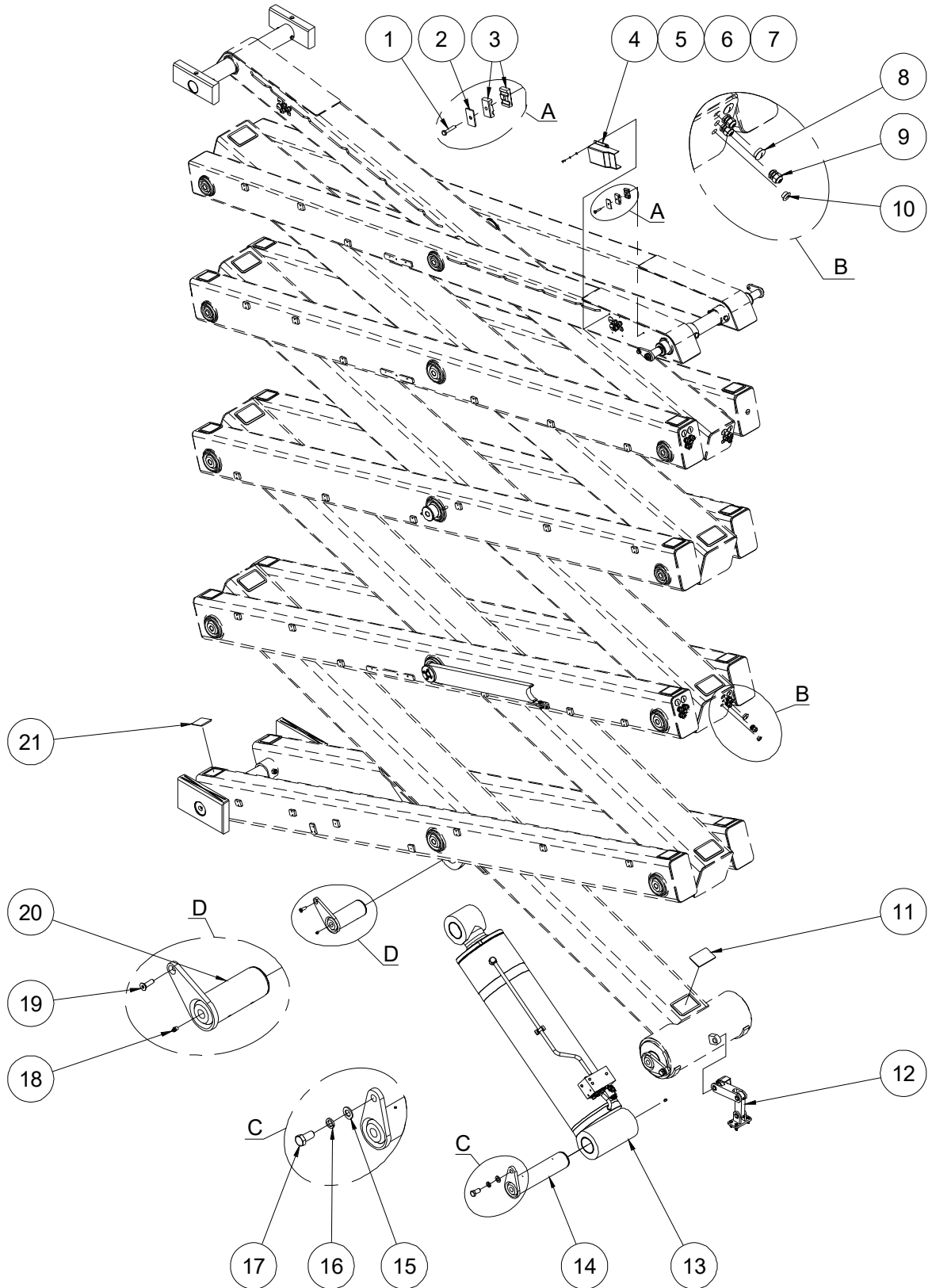
716.1 Automatic Lubrication Systems - Lift cylinder and Scissor Accessory Installation (JCPT2212DC)



716.1 Automatic Lubrication Systems - Lift cylinder and Scissor Accessory Installation (JCPT2212DC)

Item	Part No.	Description	Qty.
1	00002604	Bolt GB/T 5783 M8×40	1
2	10017938	Base plate	1
3	10017895	Hose clamp	2
4	10018063	Cover	1
5	00000605	Washer GB/T 97.1 5	4
6	00000606	Washer GB/T 93 5	4
7	00001252	Screw GB/T 70.1 M5×12	4
8	00006183	Cover	24
9	00006128	Water-proof joint M20×1.5	36
10	00006177	Cover	14
11	10009674	Block	10
12		Rotary sensor assembly (refer to 211.1)	1
13		Lift cylinder assembly (without seal kit) (refer to 401.1)	1
14	10016401	Pin	1
15	00001050	Washer GB/T 97.1 20	2
16	00002219	Washer GB/T 93 20	2
17	00002264	Bolt GB/T 5783 M20×40	1
18	00004483	Grease nipple GB/T 1152 M10×1	20
19	00000857	Screw GB/T 70.3 M12×40	1
20	10009370	Pin	1
21	10009673	Block	20

717.1 Automatic Lubrication Systems - Lift cylinder and Scissor Accessory Installation (JCPT1912DC)



717.1 Automatic Lubrication Systems - Lift cylinder and Scissor Accessory Installation (JCPT1912DC)

Item	Part No.	Description	Qty.
1	00002604	Bolt GB/T 5783 M8×40	1
2	10017938	Base plate	1
3	10017895	Hose clamp	2
4	10018063	Cover	1
5	00000605	Washer GB/T 97.1 5	4
6	00000606	Washer GB/T 93 5	4
7	00001252	Screw GB/T 70.1 M5×12	4
8	00006183	Cover	24
9	00006128	Water-proof joint M20×1.5	33
10	00006177	Cover	17
11	10009674	Block	8
12		Rotary sensor assembly (refer to 211.1)	1
13		Lift cylinder assembly (without seal kit) (refer to 401.1)	1
14	10016401	Pin	1
15	00001050	Washer GB/T 97.1 20	2
16	00002219	Washer GB/T 93 20	2
17	00002264	Bolt GB/T 5783 M20×40	1
18	00004483	Grease nipple GB/T 1152 M10×1	17
19	00000857	Screw GB/T 70.3 M12×40	1
20	10009370	Pin	1
21	10009673	Block	16

Zhejiang Dingli Machinery Co., Ltd.

No.188 Qihang Road. Deqing Zhejiang P.R.

China 313219

Tel: +86-572-8681688

Fax: +86-572-8681690

Web: www.cndingli.com

E-mail: market@cndingli.com

DINGLI